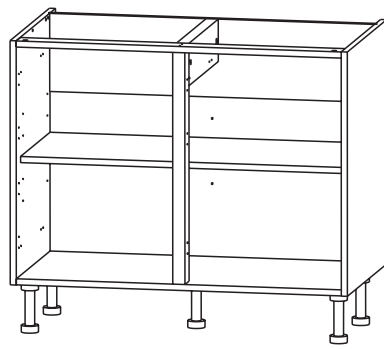
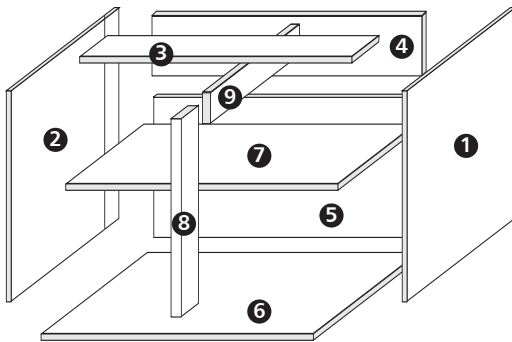


ASSEMBLY GUIDE








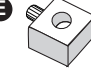
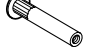


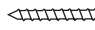
800 - 1000mm
BASE
Cabinets

Panels



- 1 x ① Side
- 1 x ② Side
- 1 x ③ Front Rail
- 1 x ④ Back Rail
- 1 x ⑤ Back
- 1 x ⑥ Base
- 1 x ⑦ Shelf
- 1 x ⑧ Centre Muntin
- 1 x ⑨ Drawer Rail

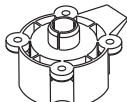
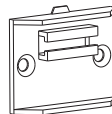

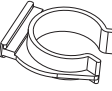
Hardware

- 2 x **A**  58 x **F** 
- 7 x **B**  7 x **G** 
- 29 x **C**  15mm 2 x **E** 
- 2 x **D**  
- 4 x **H**  50 mm
- 2 x **K**  25mm

Please use scissors to open the bag of fittings and then empty the contents into a bowl, so that they do not get lost!



Legs

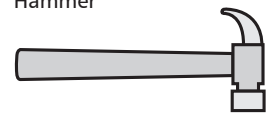
- 5 x **S**  2 x **U** 
- 5 x **T** 
- 2 x **V** 

Minimum Tools required

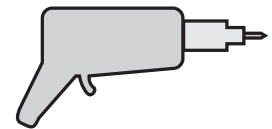
Cross Head Screwdriver



Hammer



Drill



Level



Before you Start ...

WARNING: Installation should be performed by a competent person only. This product could be dangerous if incorrectly installed. All assembly fittings except legs and shelf pegs have been pre-inserted. If any are missing or there is a problem with the panels, please call the Manufacturers' Helpline on **01769 575500**, and their team will get things sorted.

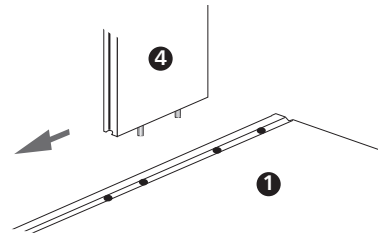
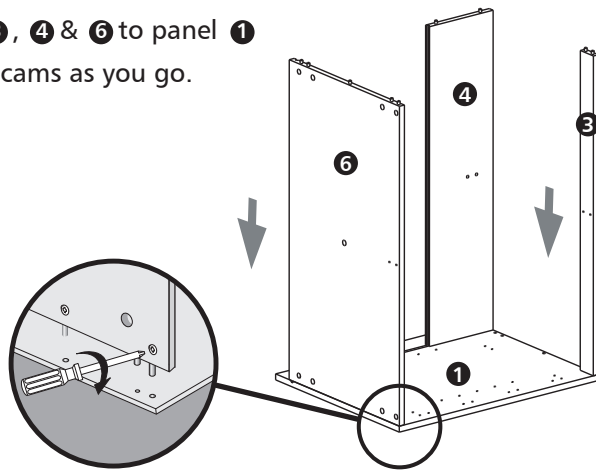
In order for 800/1000mm base cabinets to function as a corner cabinet, you must position the end of this base cabinet 227mm away from adjacent wall surface for an 800mm unit and 127mm away from adjacent wall surface for a 1000mm unit.

If you are fitting a storage accessory into this unit, refer to the assembly guide for it before you assemble this cabinet, as there may be specific requirements that affect the order of assembly.

▶ Video assembly guides can be viewed at www.mycabinetguide.co.uk

Cleaning – Use mild soap and water only. Do not use abrasive cleaners.

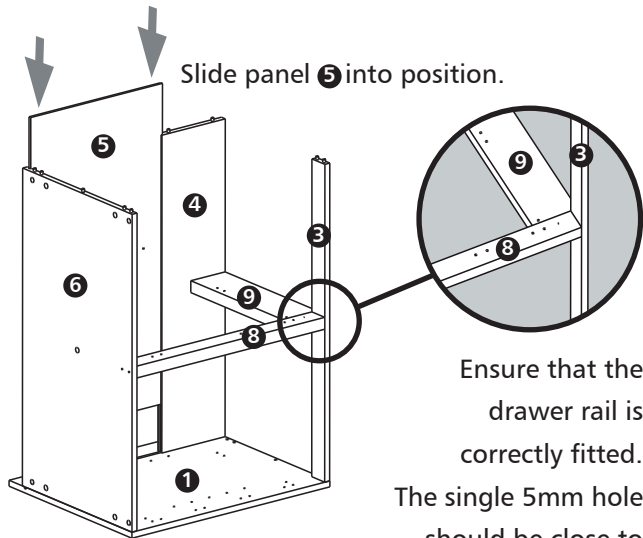
- 1** Fit panels **3**, **4** & **6** to panel **1**
Tighten the cams as you go.



If fitting sink, drop rail **4** down to alternate holes.

Cut panel **5** to size.

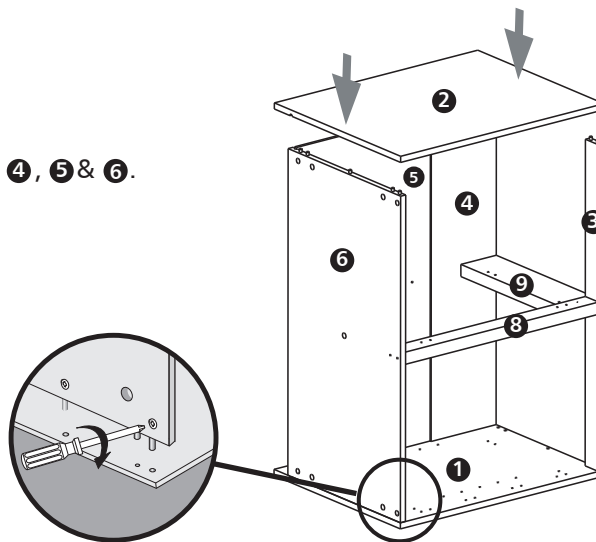
- 2** Join panels **8** & **9** together & tighten cam.
Affix panels **8** & **9** to panels **3** & **6** using 4 x **H** screws.
Locate panel **9** to panel **4** & tighten cam.



Slide panel **5** into position.

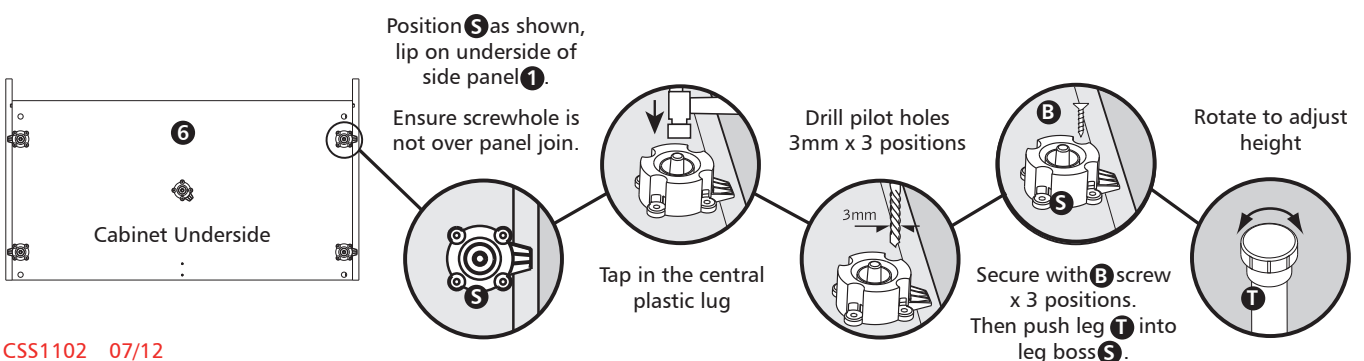
Ensure that the drawer rail is correctly fitted.
The single 5mm hole should be close to panel **8**, and at the bottom of panel **9**, as shown.

- 3** Fit panel **2** to panels **3**, **4**, **5** & **6**.



Now affix your cabinet legs

- 4** Fitting of Legs To fit legs, turn unit upside down



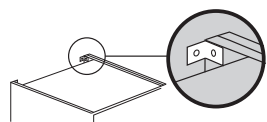
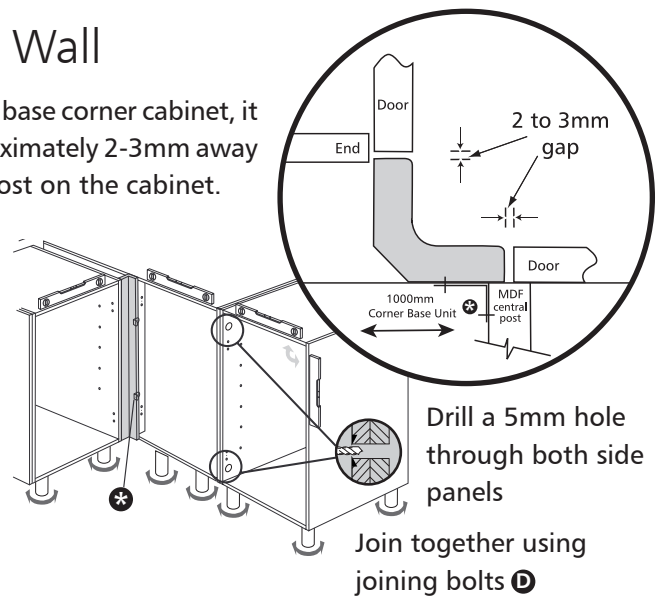
5 Levelling, Joining & Fitting to Wall

Fit profiled base corner post (available separately) to face of base corner cabinet, it is important to position the edge of the profiled post approximately 2-3mm away from the edge of the door you are fitting to the central post on the cabinet.

Fix using 2 x metal brackets * (not supplied) to the rear inside faces of both post sections (see insert).

To join an adjacent base unit to the profiled corner post fitted, line up end panel with corner post as shown and fix as before.

All legs are pre-set at 150mm height. Rotate to adjust up and down, to level the unit.

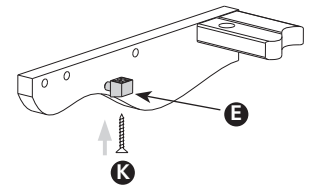


To Fit to wall, drill 3mm pilot hole into side panel of cabinet.
Fix 2 x bracket **A** using 2 x screws **C**.

Wall Fitting not supplied Use appropriate fittings to secure cabinet to wall (depending on wall type).

6 Fitting Worktop

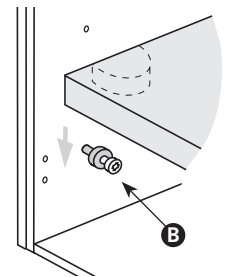
Fit 2 x **E** into 8mm holes at top of Base Cabinet Ends. Use 2 x **K** to fix work top to unit.



7 Shelf Fitting

Fully insert the shelf pegs **B**, at required position, (the back of the plastic collar must finish flush with the face of the side panel). Rest the shelf on the pegs, and line up with the plastic inserts. Now tap down firmly to secure.

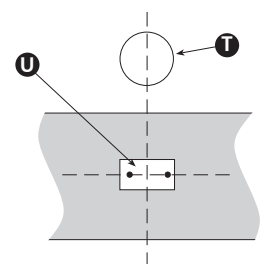
NOTE: To remove the shelf, gently tap up and take out, push shelf peg in turn anticlockwise with a screwdriver and pull out.



8 To fit plinths

Lay plinth panel in front of cabinet legs. Position plinth clip plate **U** opposite front cabinet legs. Secure with 2 x screws **C**.

Slide **V** into **U**. Stand plinth up.



9 Frame Fitting

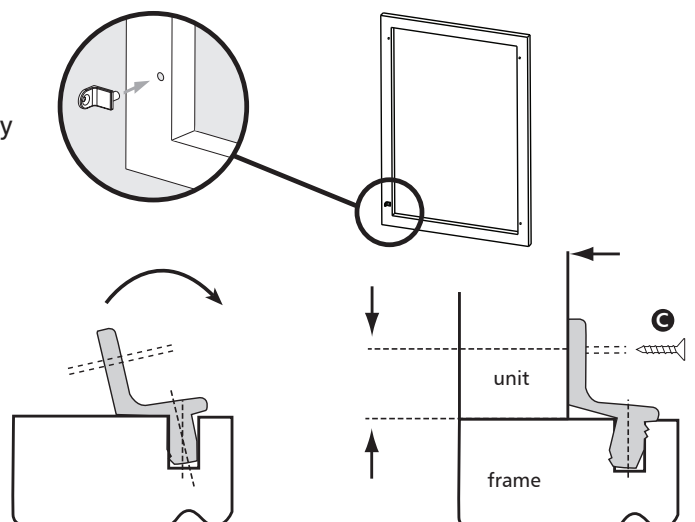
Supplied in Hinge Packs For Inset Doors and Frames only

Insert the metal frame brackets, at an angle, into the holes in the back of the frame, and then straighten them up, to grip the holes, before fitting the frame.

Carefully push the frame (with brackets) onto the front of the cabinet, and adjust to the correct position.

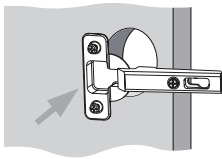
Finally, secure the frame brackets to the cabinet with screws **C** (supplied in hinge pack).

At this point, the door stop should be fitted to the inside of the frame, on the non-hinge side.

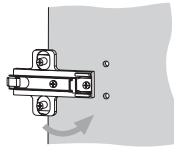


10 Door Hinges

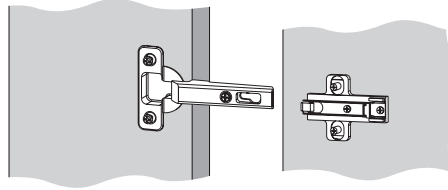
Insert Door Hinge into rear recess in door



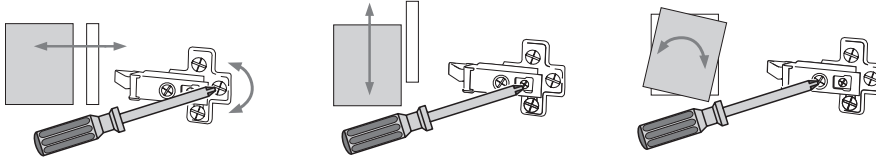
Affix Hinge Plate on cabinet



Now, Clip Hinge onto Hinge Plate



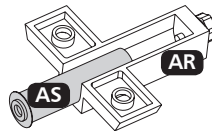
Turn screws as shown to adjust door position



11 Push-to-open

Fixing of Magnetic Catch

First, carefully push the magnetic catch **AS**, into the holder **AR**, as shown, until it clips onto the adjustment screw at the end.

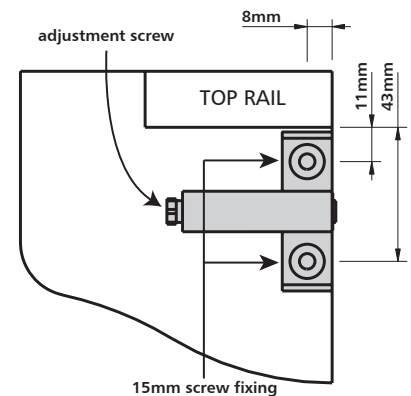


This is now ready to be fitted to the unit.

Carefully mark holes for fixing the holder, in the positions shown, and using a 3mm drill bit, drill approximately 5mm deep.

Then fix the complete magnetic holder to the side panel, as shown.

Once fitted, use the adjustment screw to fix catch **AS** in the optimum position.

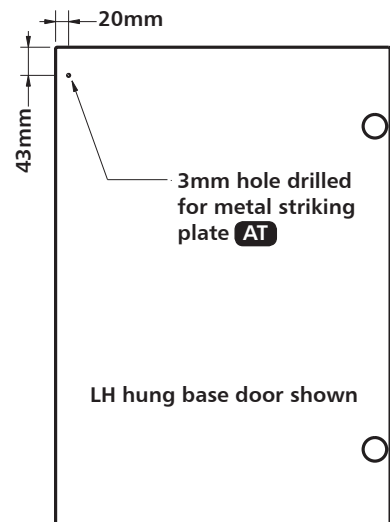


Fixing of Strike Plate

Using a 3mm drill bit, carefully drill a hole in the door, as shown, approximately 10mm deep.

Now tap the strike plate **AT** into this hole, and close the door.

The door should be pushed onto the magnetic catch, to close it. Then, to open the door, simply push the door again, and release, and the door should open. If the door does not open smoothly, then it may require further adjustment of the hinges.



12 Handles Position as required.

NOTE: care should be taken when drilling for the handle so as not to drill in to the shelf.

13 Drawer Fitting Refer to drawer assembly guide with the drawer pack.