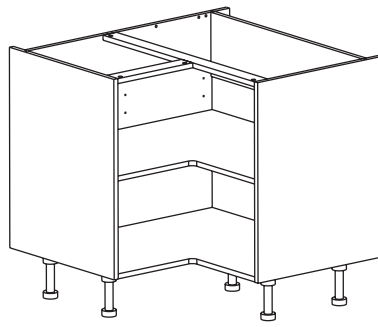


# ASSEMBLY GUIDE



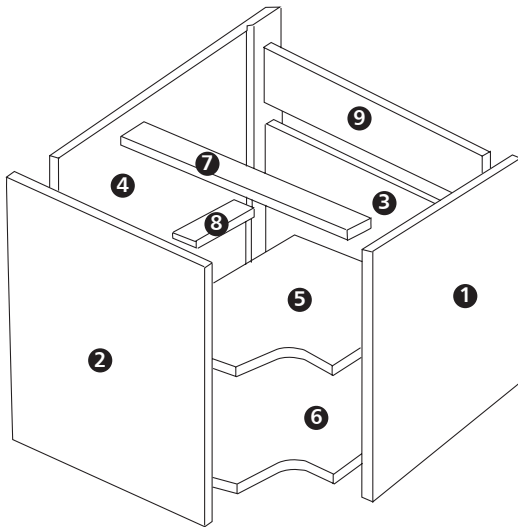
## 925mm CORNER BASE Cabinet

PLEASE NOTE - The shelf must be fitted before fitting the worktop.

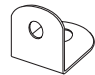





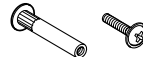

### Panels

### Hardware

### Minimum Tools required



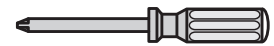
- 1 x ① Side
- 1 x ② Side
- 1 x ③ Back
- 1 x ④ Solid Back Panel
- 1 x ⑤ Shelf
- 1 x ⑥ Base
- 1 x ⑦ Large Front Rail
- 1 x ⑧ Small Front Rail
- 1 x ⑨ Back Rail

- 2 x ①  58 x ② 
- 7 x ③  7 x ④ 
- 29 x ⑤  15mm 2 x ⑥ 
- 2 x ⑦ 
- 2 x ⑧  25mm

Please use scissors to open the bag of fittings and then empty the contents into a bowl, so that they do not get lost!



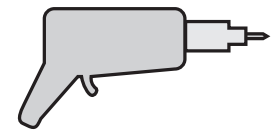
Cross Head Screwdriver



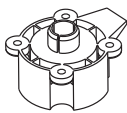
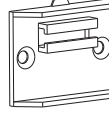

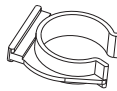
Hammer



Drill



### Legs

- 7 x ①  3 x ② 
- 7 x ③  3 x ④ 

Level



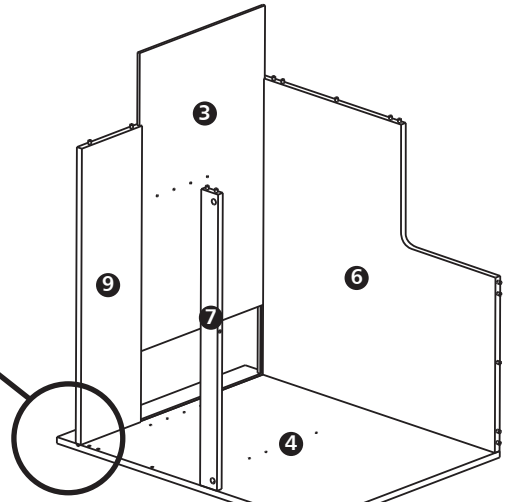
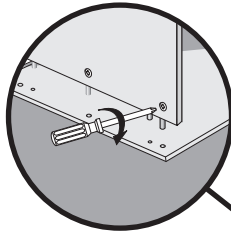
## Before you Start ...

**WARNING:** Installation should be performed by a competent person only. This product could be dangerous if incorrectly installed. All assembly fittings except legs and shelf pegs have been pre-inserted. If any are missing or there is a problem with the panels, please call the Manufacturers' Helpline on 01769 575500, and their team will get things sorted.

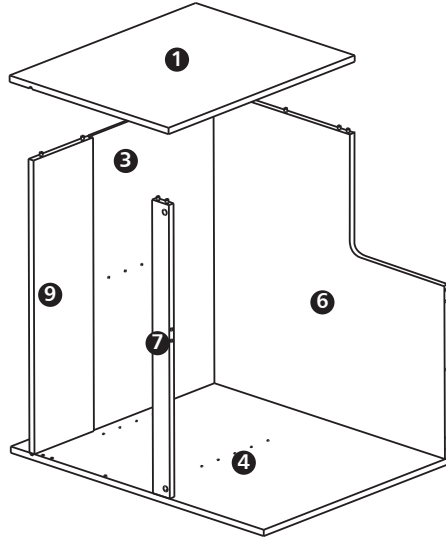
 Video assembly guides can be viewed at [www.mycabinetguide.co.uk](http://www.mycabinetguide.co.uk)

**Cleaning** – Use mild soap and water only. Do not use abrasive cleaners.

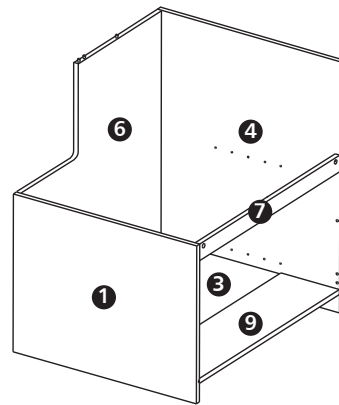
- 1** Before you start to assemble the unit, lay panel **4** flat.  
Fit panels **6**, **7** & **9** to panel **4**  
Then slide in panel **3**  
Tighten the cams as you go



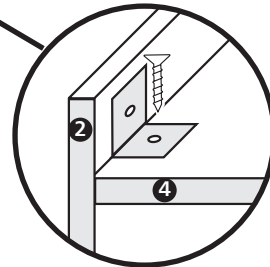
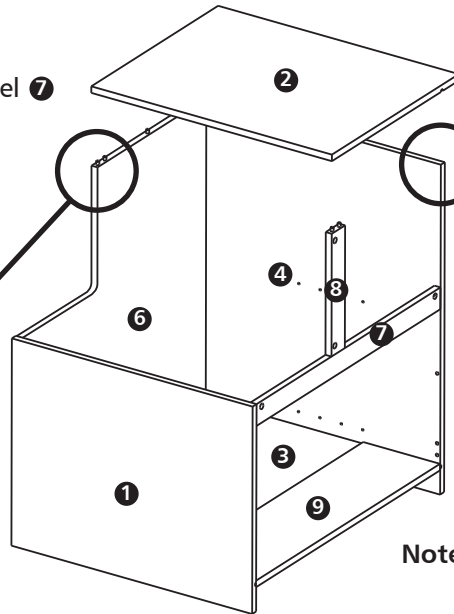
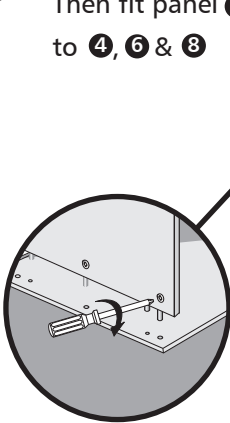
- 2** Fit panel **1** to **3**, **6**, **7** & **9**



Now turn the unit on its back



- 3** Fit panel **8** to panel **7**  
Then fit panel **2** to **4**, **6** & **8**



Use a spare bracket here.

**Note:** Shelf should be fitted before fitting Worktop

**Now affix your cabinet legs**

Care should be taken when fitting legs and fitting to wall as Unit will be heavy

- 4** Fitting of Legs To fit legs, turn unit upside down

Position **S** as shown, lip on underside of side panel **1**.  
Ensure screwhole is not over panel join.

Tap in the central plastic lug

Drill pilot holes 3mm x 3 positions

Secure with **C** screw x 3 positions. Then push leg **T** into leg boss **S**.

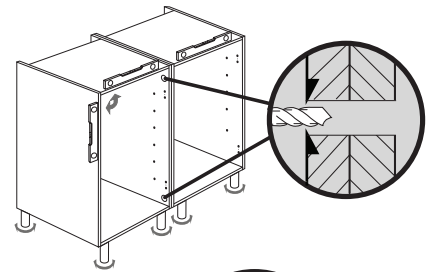
Rotate to adjust height

Cabinet Underside

CSS1103 08/13

## 5 Levelling, Joining & Fitting to Wall

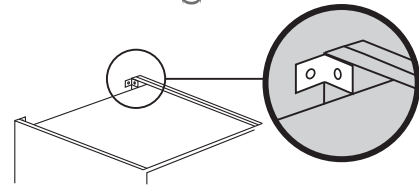
All legs are pre-set at 150mm height. Rotate to adjust up and down, to level the unit. Drill a 5mm hole through both side panels. Join together using joining bolts **D**.



To fit to wall, drill 3mm pilot hole into side panel of cabinet.

Fix 2 x bracket **A** using 2 x screws **C**

**Wall Fitting not supplied** Use appropriate fittings to secure cabinet to wall (depending on wall type).

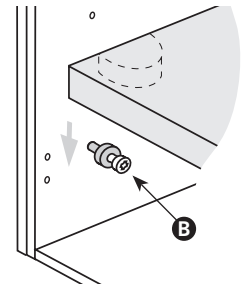


## 6 Shelf Fitting

**For this unit, the shelf must be fitted before securing the work surface.**

Fully insert the shelf pegs **B**, at required position, (the back of the plastic collar must finish flush with the face of the side panel). Rest the shelf on the pegs, and line up with the plastic inserts. Now tap down firmly to secure.

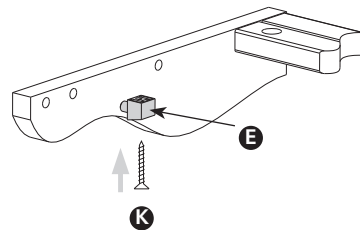
NOTE: To remove the shelf, gently tap up and take out, push shelf peg in turn anticlockwise with a screwdriver and pull out.



## 7 Fitting Worktop

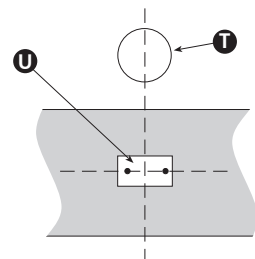
Fit 2 x **E** into 8mm holes at top of Base Cabinet Ends.

Use 2 x **K** to fix work top to unit.



## 8 To fit plinths

Lay plinth panel in front of cabinet legs. Position plinth clip plate **U** opposite front cabinet legs. Secure with 2 x screws **C**. Slide **V** into **U**. Stand plinth up.



## 9 Frame Fitting

**Supplied in Hinge Pack for Framed Doors only**

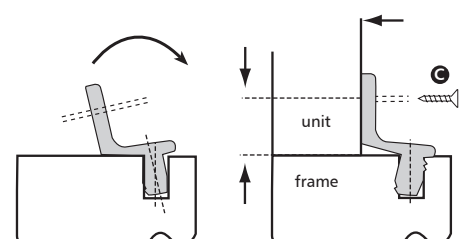
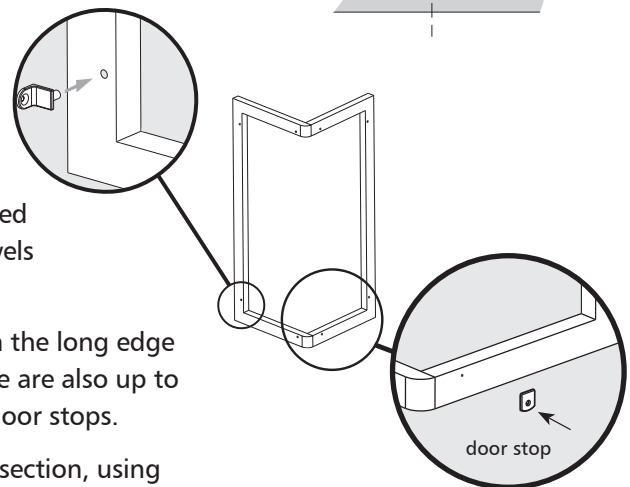
When fitting framed doors, the metal components are supplied in the hinge pack (supplied separately), and the wooden dowels are supplied with the separate door pack.

Lay the frames on a flat surface. There are two 5mm holes on the long edge of each section, which are for the metal frame brackets. There are also up to four pilot holes on the short edges, which are for the metal door stops.

Screw the two metal door stops into the pilot holes, one per section, using screw **C**. Now join the two frame sections together using the wooden dowels, to form an 'L' shape, taking care to ensure that the join is complete.

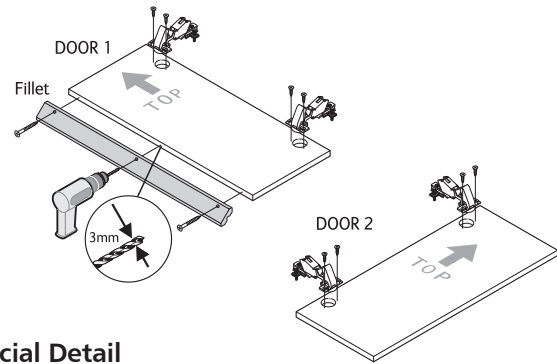
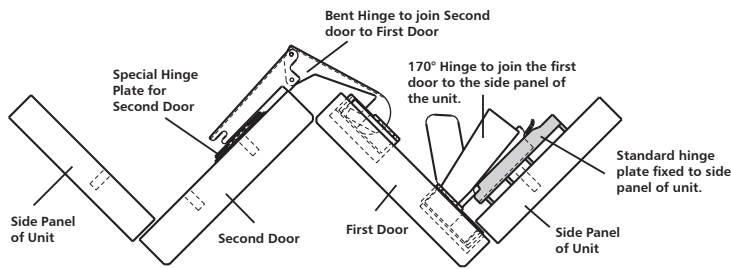
Insert the metal frame brackets, at an angle, into the holes in the frame and straighten them up, to grip the holes, before fitting the frame.

Carefully push the frame, (with brackets) onto the front of the cabinet and adjust to the correct position. Finally screw the metal frame brackets to the cabinet with screws **C** (supplied in the hinge pack), as shown.



# 10 Door Hinges

## Hinge and Door Packs Supplied Separately



### Standard Detail

1. Insert the main door hinges into the recesses on one edge, at the rear of the first door.
2. Insert the 'bent' door hinges into the recesses on the opposite side of the first door.
3. Affix the standard hinge plates to the side panel of the cabinet.
4. Affix the special (thinner) hinge plates to one edge, at the rear of the second door.
5. Finally, connect the 'bent' hinges to the second door hinge plates, and then clip the main hinges to the standard hinge plates.

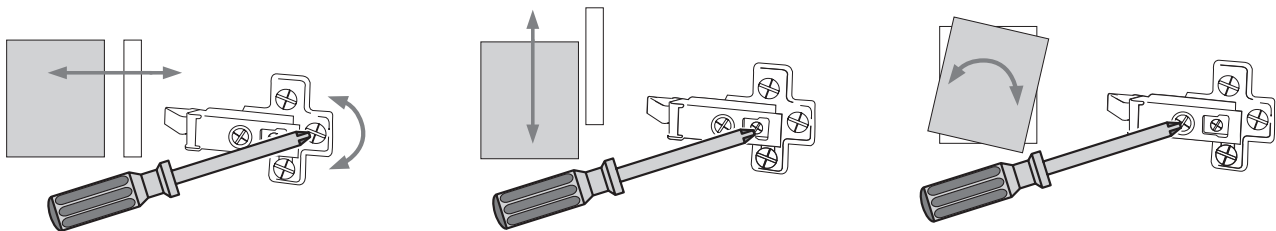
Note: When fitting a handle to the second door, the screw head should be countersunk.

### Special Detail

Certain door styles require the use of a shaped fillet, and standard 170° hinges to both doors (refer to the brochure). In this situation, as shown, the fillet must be fitted to the opposite door to the handle or knob. Drill carefully into the edge of the door, using a 3mm drill bit, and then fix the fillet with 3no screws (not supplied).

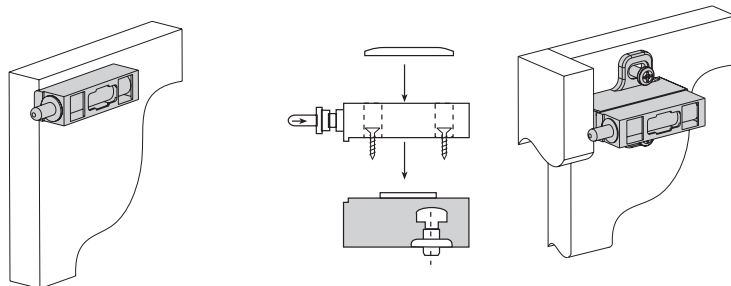
Insert the door hinges into the recesses in the back of the doors, as shown, and fix in place. Now attach the door to the cabinet. The pre-fitted screws will align with the correct holes. Tighten the screws

Turn screws as shown to adjust door position



# 11 Soft Closer

If you have been supplied with a soft close buffer, this should be fitted to the side panel, opposite to the hinges, using 2 x screw supplied



# 12 Handles

Position as required.

**NOTE:** care should be taken when drilling for the handle so as not to drill in to the shelf.