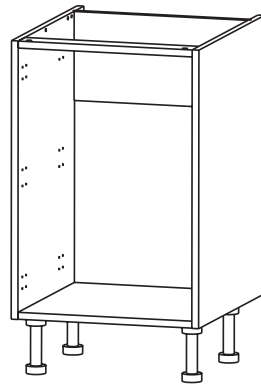


ASSEMBLY GUIDE



500 | 600 | 800*mm

3 Drawer

BASE

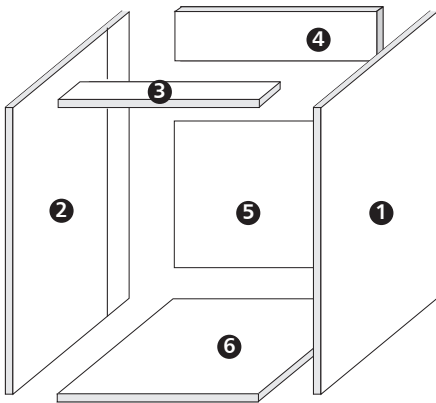
Cabinet

Separate Drawer Packs required

Panels

Hardware

Minimum Tools required



- 1 x **1** Side
- 1 x **2** Side
- 1 x **3** Front Rail
- 1 x **4** Back Rail
- 1 x **5** Back
- 1 x **6** Base

*With 800mm Cabinets there are 5 legs

- 2 x **A**
- 24 x **C** 15mm
- 2 x **D**
- 2 x **E**
- 2 x **K** 25mm

Please use scissors to open the bag of fittings and then empty the contents into a bowl, so that they do not get lost!



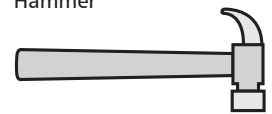
Legs

- 4 x **S**
- 2 x **U**
- 4 x **T**
- 2 x **V**

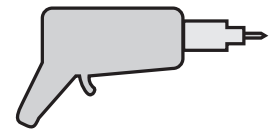
Cross Head Screwdriver



Hammer



Drill



Level



Before you Start ...

WARNING: Installation should be performed by a competent person only. This product could be dangerous if incorrectly installed. All assembly fittings except legs and shelf pegs have been pre-inserted. If any are missing or there is a problem with the panels, please call the Manufacturers' Helpline on 01769 575500, and their team will get things sorted.

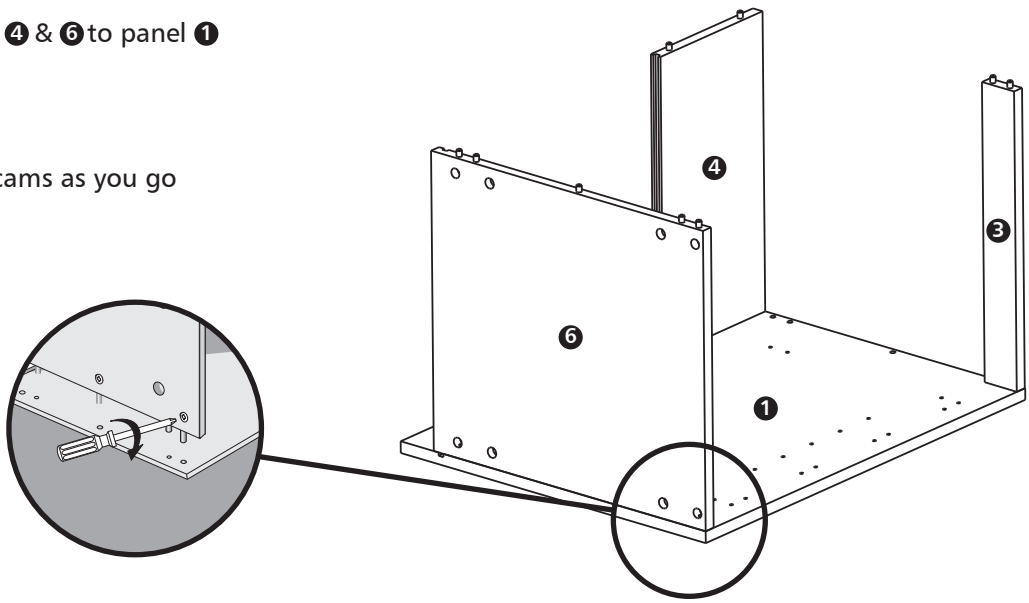


Video assembly guides can be viewed at www.mycabinetguide.co.uk

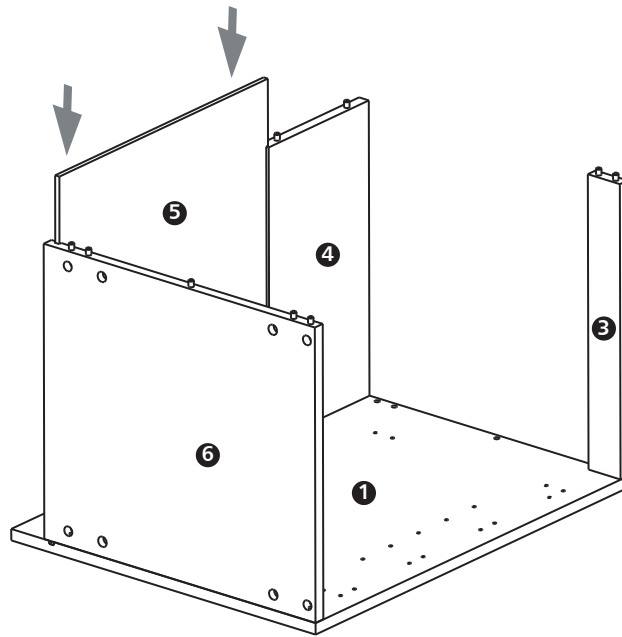
Cleaning – Use mild soap and water only. Do not use abrasive cleaners.

1 Fit panels 3, 4 & 6 to panel 1

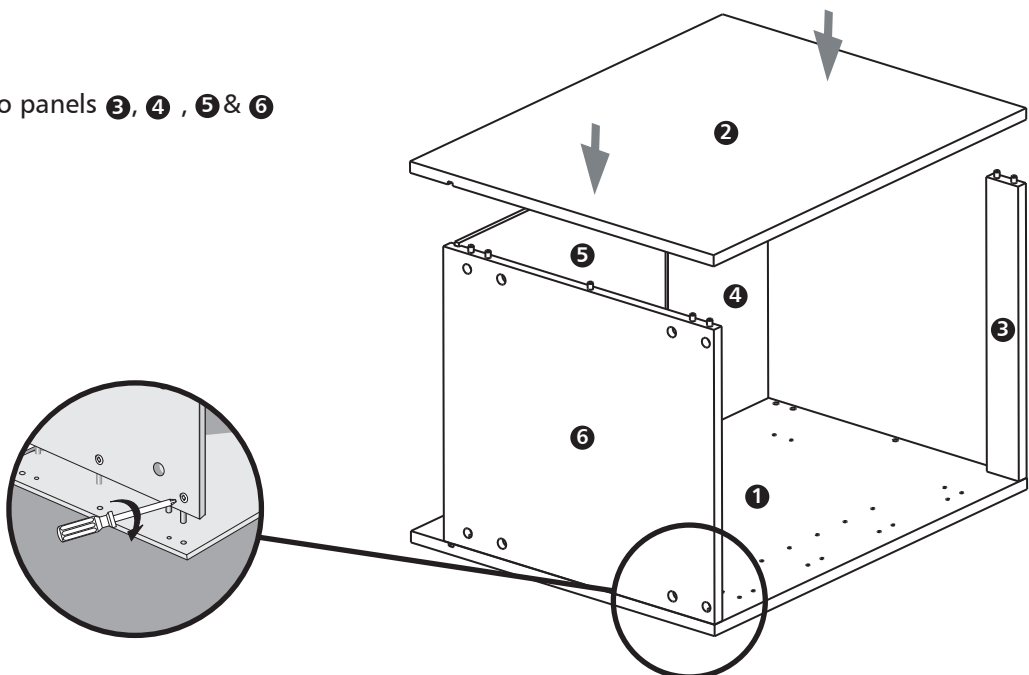
Tighten the cams as you go



2 Slide panel 5 into grooves



3 Fit panel 2 to panels 3, 4, 5 & 6

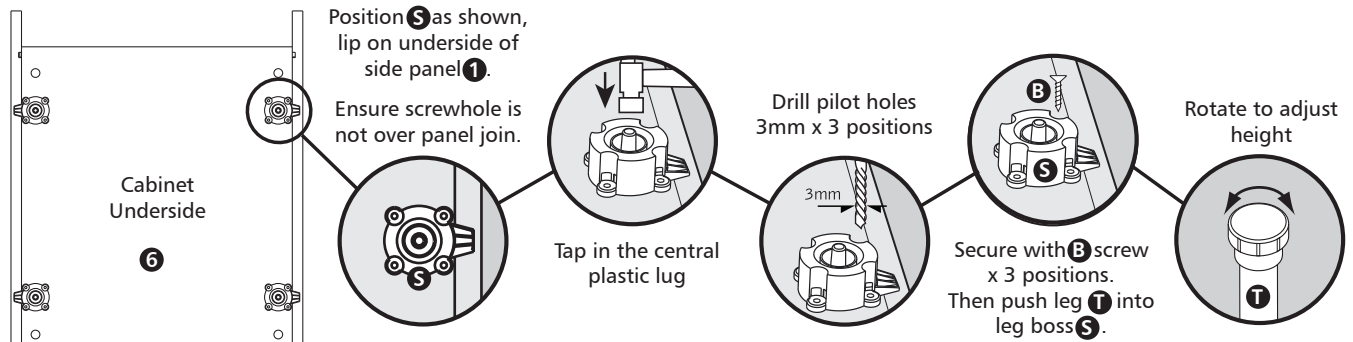


Drawer Fitting: Fit drawer runners at this point. Refer to drawer assembly guide with the drawer pack.

Now affix your cabinet legs

Care should be taken when fitting legs and fitting to wall as Unit will be heavy

4 Fitting of Legs To fit legs, turn unit upside down



5 Levelling, Joining & Fitting to Wall

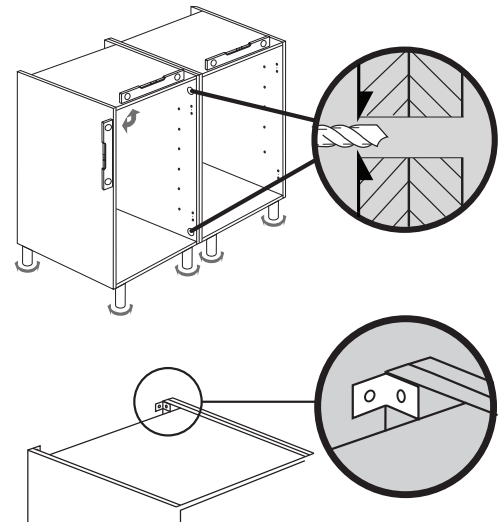
All legs are pre-set at 150mm height. Rotate to adjust up and down, to level the unit.

Drill a 5mm hole through both side panels. Join together using joining bolts **D**.

To Fit to wall, drill 3mm pilot hole into side panel of cabinet.

Fix 2 x bracket **A** using 2 x screws **C**

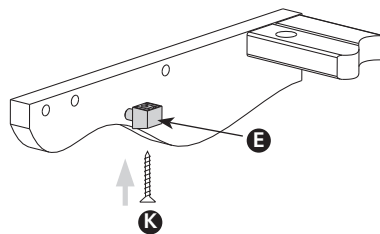
Wall Fitting not supplied Use appropriate fittings to secure cabinet to wall (depending on wall type).



6 Fitting Worktop

Fit 2 x **E** into 8mm holes at top of Base Cabinet Ends.

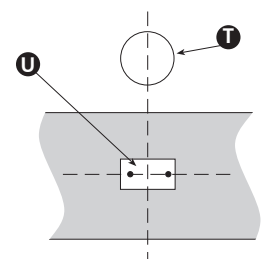
Use 2 x **K** to fix work top to unit.



7 To fit plinths

Lay plinth panel in front of cabinet legs. Position plinth clip plate **U** opposite front cabinet legs. Secure with 2 x screws **C**.

Slide **V** into **U**. Stand plinth up.



8 Frame Fitting

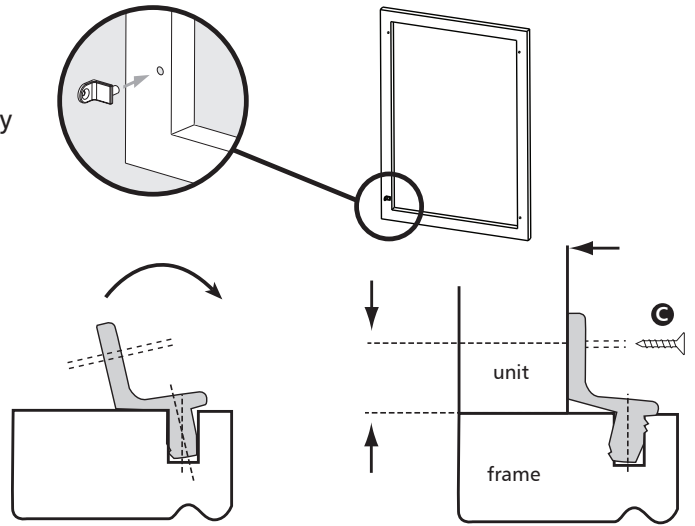
Supplied in Hinge Packs For Inset Doors and Frames only

Insert the metal frame brackets, at an angle, into the holes in the back of the frame, and then straighten them up, to grip the holes, before fitting the frame.

Carefully push the frame (with brackets) onto the front of the cabinet, and adjust to the correct position.

Finally, secure the frame brackets to the cabinet with screws **C** (supplied in hinge pack).

At this point, the door stop should be fitted to the inside of the frame, on the non-hinge side.



9 Handles Position as required.

10 Drawer Fitting Refer to drawer assembly guide with the drawer pack.

Notes: