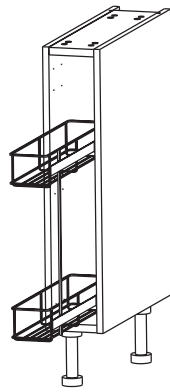
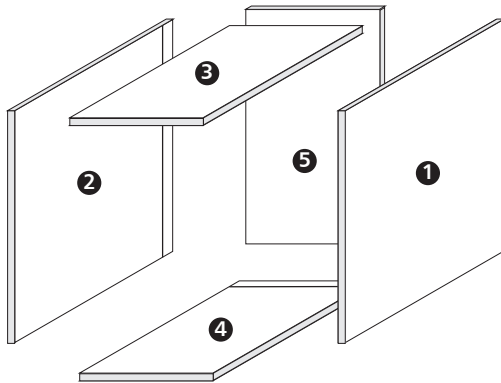


# ASSEMBLY GUIDE



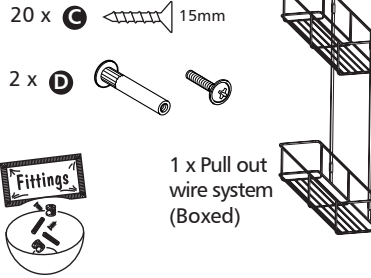
## 150mm BASE Cabinet with Pull out Racking

### Panels



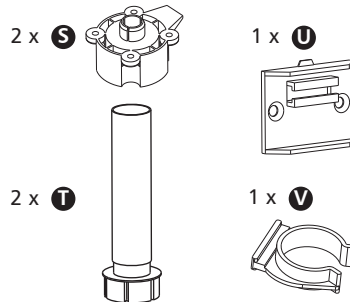
- 1 x **1** Side
- 1 x **2** Side
- 1 x **3** Top
- 1 x **4** Base
- 1 x **5** Back

### Hardware



Please use scissors to open the bag of fittings and then empty the contents into a bowl, so that they do not get lost!

### Legs

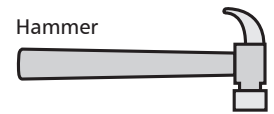


### Minimum Tools required

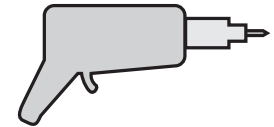
Cross Head Screwdriver



Hammer



Drill



Level



## Before you Start ...

**WARNING:** Installation should be performed by a competent person only. This product could be dangerous if incorrectly installed. All assembly fittings except legs and shelf pegs have been pre-inserted. If any are missing or there is a problem with the panels, please call the Manufacturers' Helpline on 01769 575500, and their team will get things sorted.

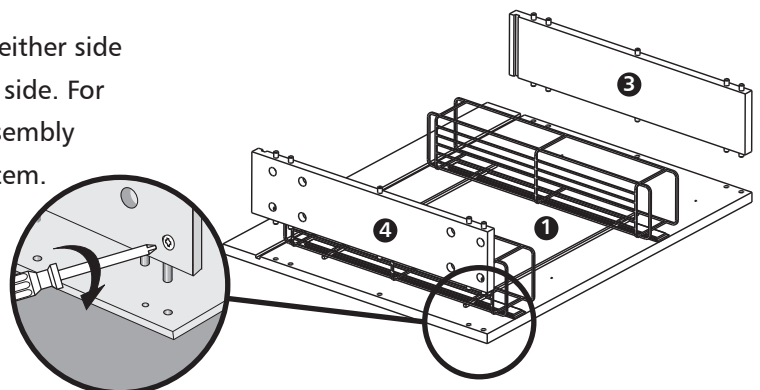
▶ Video assembly guides can be viewed at [www.mycabinetguide.co.uk](http://www.mycabinetguide.co.uk)

**Cleaning** – Use mild soap and water only. Do not use abrasive cleaners.

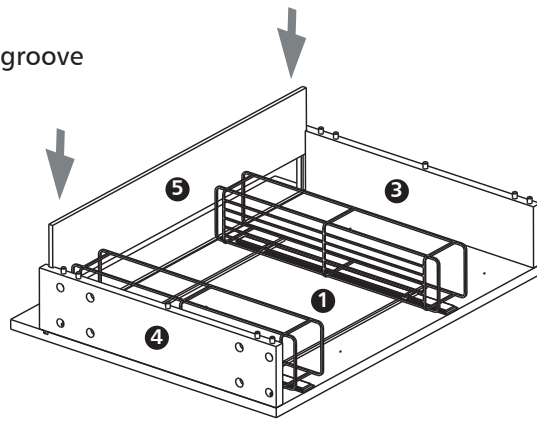
- 1** The pull-out wire system can be fitted to either side panel, and is shown here fitted to the RH side. For fitting instructions, please refer to the assembly guide supplied with the pull-out wire system.

Then, fit panels **3** & **4** to the panel **1**.

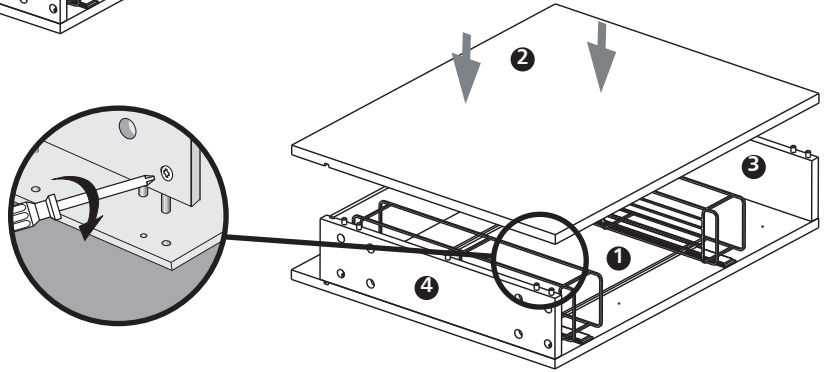
Tighten metal cams.



2 Slide panel 5 into groove



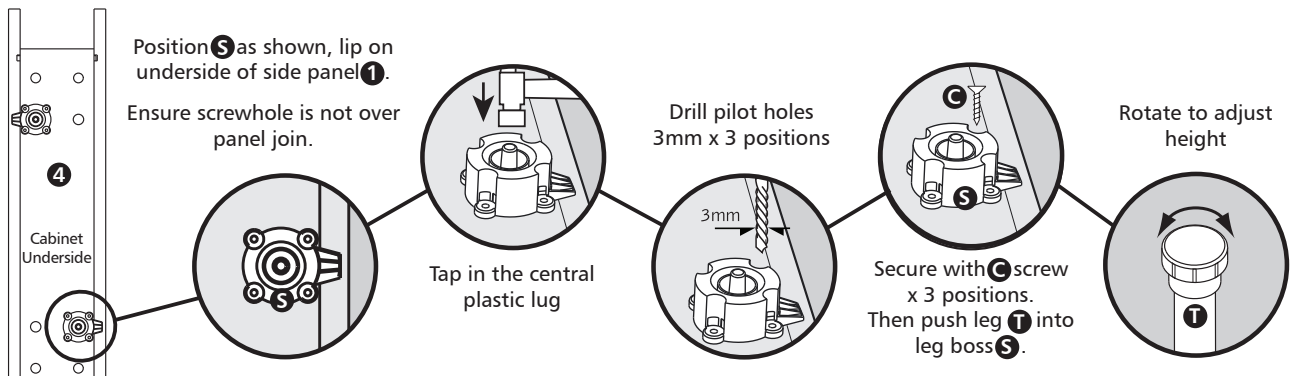
3 Fit panel 2 to panels 3, 4 & 5



Now affix your cabinet legs

Care should be taken when fitting legs and fitting to wall as Unit will be heavy

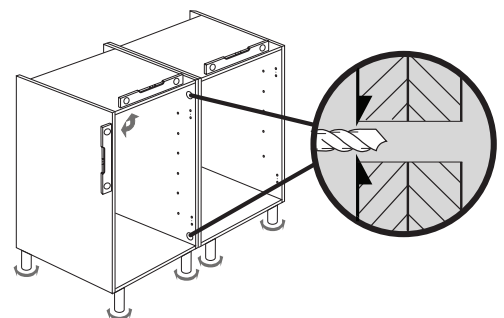
4 Fitting of Legs To fit legs, turn unit upside down



5 Levelling & Joining

All legs are pre-set at 150mm height.  
Rotate to adjust up and down, to level the unit.

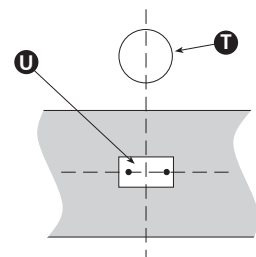
Drill a 5mm hole through both side panels.  
Join together using joining bolts D.



6 To fit plinths

Lay plinth panel in front of cabinet legs. Position plinth clip plate U opposite front cabinet legs. Secure with 2 x screws C.

Slide V into U. Stand plinth up.



7 Handles Position as required.