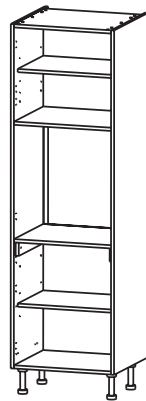


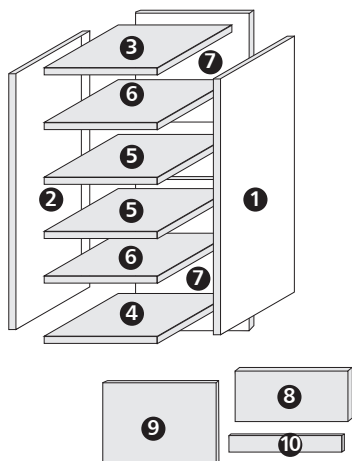
# ASSEMBLY GUIDE



## Standard APPLIANCE Housing

**NOTE:** This guide assumes the fitting of a single or double oven only, for other combinations, you should refer to your kitchen designer.

### Panels



- 1 x **1** RH Side
- 1 x **2** LH Side
- 1 x **3** Top Panel\*
- 1 x **4** Base Panel\*
- 2 x **5** Shelf (Fixed)\*
- 2 x **6** Shelf\*
- 2 x **7** Back Panel
- 2 x **8** Rail\*
- 2 x **9** Oven Spacer Panel\*
- 2 x **10** Oven Support Rails\*

\*Supplied in separate Shelf Pack.

To protect your kitchen doors from any excess heat emitted by your oven, it is strongly recommended that an appropriate Oven Heat Deflector Kit is fitted around the oven aperture in this unit. Suitable kits are available from B&Q and details can be found in the kitchen price list.

### Hardware

- 2 x **A**
- 44 x **F**
- 8 x **B**
- 12 x **G**
- 18 x **C**
- 4 x **D**
- 6 x **DD**

### Hinges Supplied Separately

Please use scissors to open the bag of fittings and then empty the contents into a bowl, so that they do not get lost!



### Legs

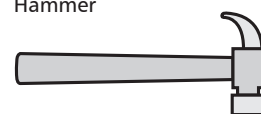
- 4 x **S**
- 2 x **U**
- 4 x **T**
- 2 x **V**

### Minimum Tools required

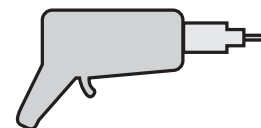
Cross Head Screwdriver



Hammer



Drill



Level



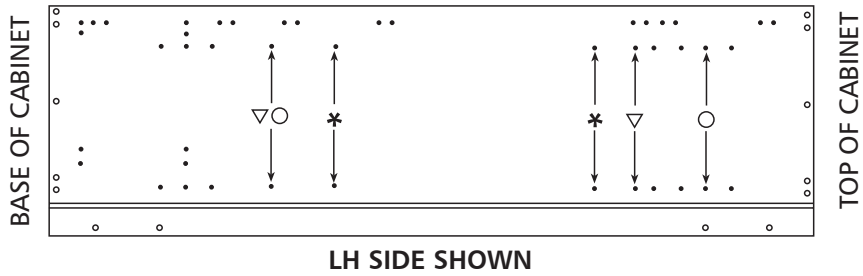
## Before you Start ...

**WARNING:** Installation should be performed by a competent person only. This product could be dangerous if incorrectly installed. All assembly fittings except legs and shelf pegs have been pre-inserted. If any are missing or there is a problem with the panels, please call the Manufacturers' Helpline on 01769 575500, and their team will get things sorted.

Video assembly guides can be viewed at [www.mycabinetguide.co.uk](http://www.mycabinetguide.co.uk)

**Cleaning** – Use mild soap and water only. Do not use abrasive cleaners.

1

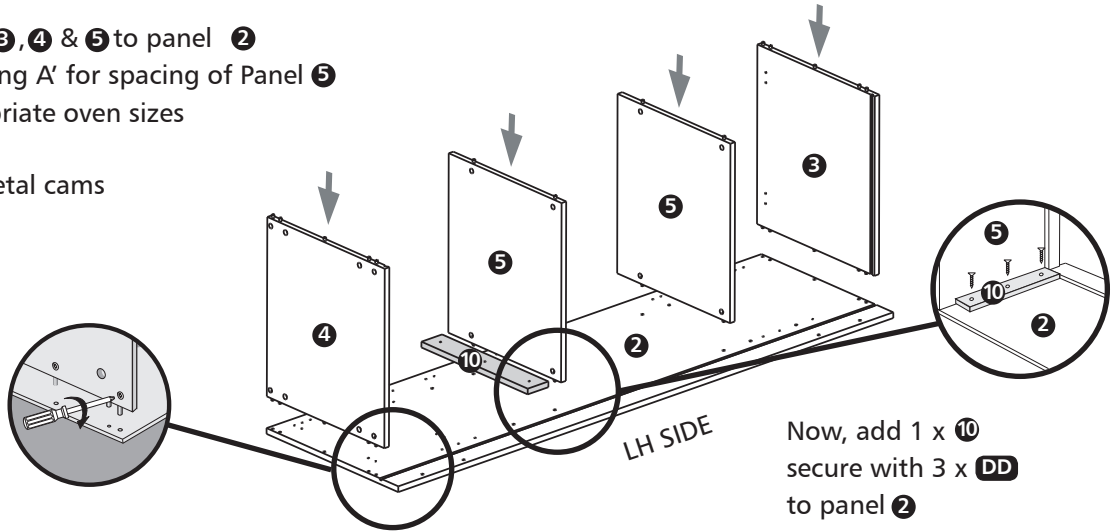


Drawing A: For oven housing openings, 600 = \* 900 = Δ 1000 = ○

2

Fit panels 3, 4 & 5 to panel 2  
See 'Drawing A' for spacing of Panel 5  
For appropriate oven sizes

Tighten metal cams



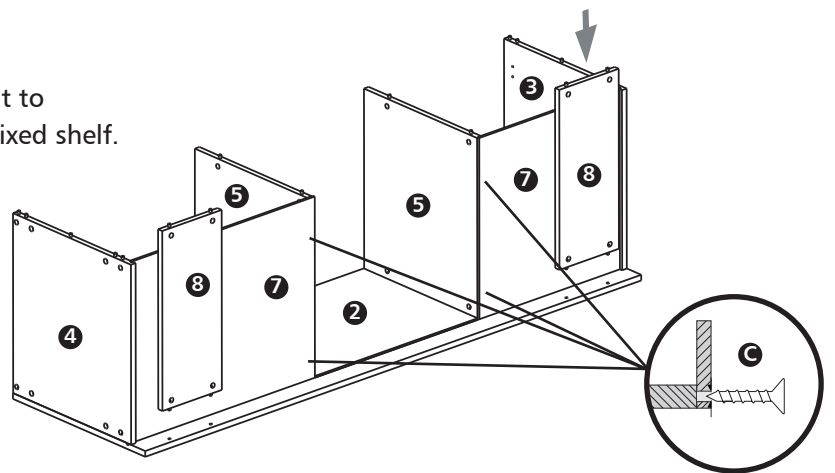
Now, add 1 x 10  
secure with 3 x DD  
to panel 2

If you are fitting Lay-on drawers below an oven, in this unit, 2 x panel 10 should be replaced by 4 x 90° angle brackets (not supplied), due to space restrictions.

3

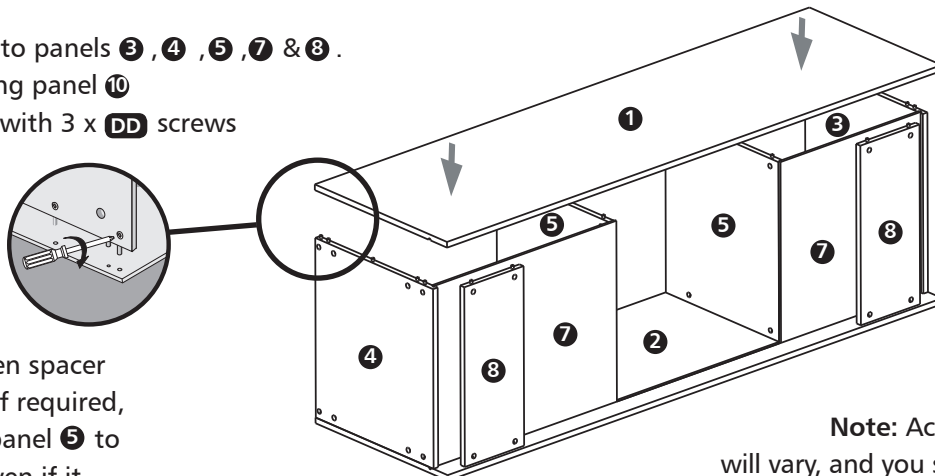
Cut panel 7 to required size then fit to grooves, secure with screws C to fixed shelf.

Fit 2 x panel 8



4

Fit Panel 1 to panels 3, 4, 5, 7 & 8.  
Fit remaining panel 10  
to panel 1 with 3 x DD screws



Now fit oven spacer panels 9, if required, on top of panel 5 to raise the oven if it is sitting too low in the unit.

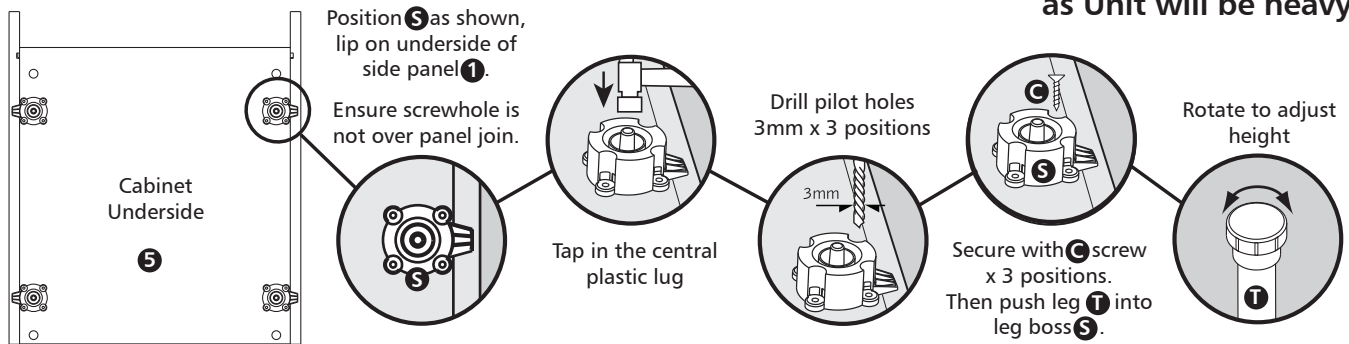
**Note:** Actual oven sizes will vary, and you should refer to the Appliance Manufacturers' fitting instructions to correctly fix your appliance.

Now affix your cabinet legs

## 5 Fitting of Legs

To fit legs, turn unit upside down

Care should be taken when fitting legs and fitting to wall as Unit will be heavy

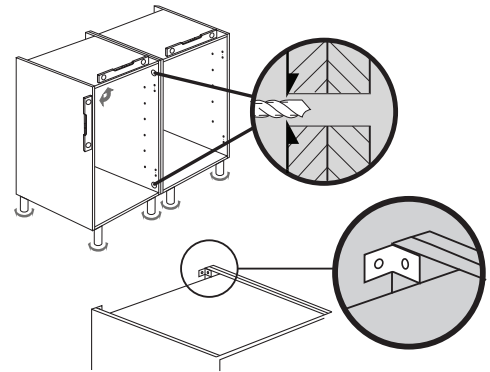


## 6 Levelling, Joining & Fitting to Wall

All legs are pre-set at 150mm height. Rotate to adjust up and down, to level the unit. Drill a 5mm hole through both side panels. Join together using joining bolts **D**.

To Fit to wall, drill 3mm pilot hole into side panel of cabinet.

Fix 2 x bracket **A** using 2 x screws **C**

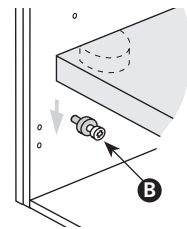


**Wall Fitting not supplied** Use appropriate fittings to secure cabinet to wall (depending on wall type).

## 7 Shelf Fitting

Fully insert the shelf pegs **B**, at required position, (the back of the plastic collar must finish flush with the face of the side panel). Rest the shelf on the pegs, and line up with the plastic inserts. Now tap down firmly to secure.

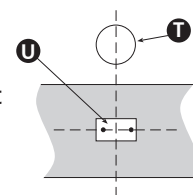
NOTE: To remove the shelf, gently tap up and take out, push shelf peg in turn anticlockwise with a screwdriver and pull out.



## 8 To fit plinths

Lay plinth panel in front of cabinet legs. Position plinth clip plate **U** opposite front cabinet legs. Secure with 2 x screws **C**.

Slide **V** into **U**. Stand plinth up.



## 9 Frame Fitting

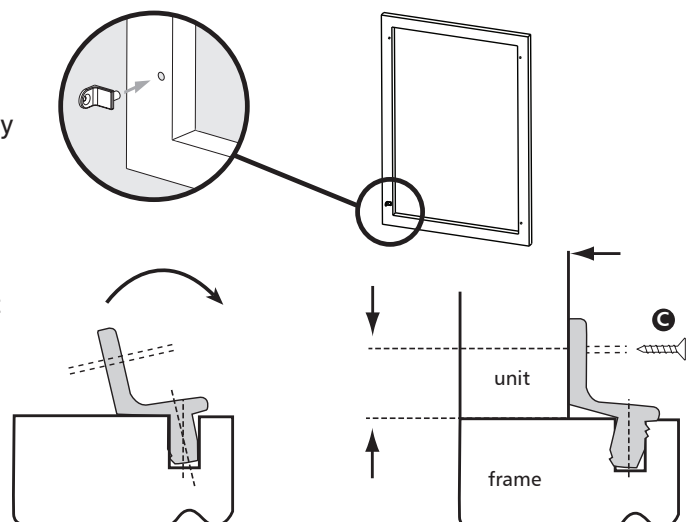
**Supplied in Hinge Packs** For Inset Doors and Frames only

Insert the metal frame brackets, at an angle, into the holes in the back of the frame, and then straighten them up, to grip the holes, before fitting the frame.

Carefully push the frame (with brackets) onto the front of the cabinet, and adjust to the correct position.

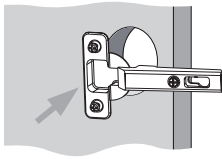
Finally, secure the frame brackets to the cabinet with screws **C** (supplied in hinge pack).

At this point, the door stop should be fitted to the inside of the frame, on the non-hinge side.

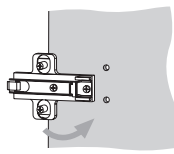


## 10 Door Hinges

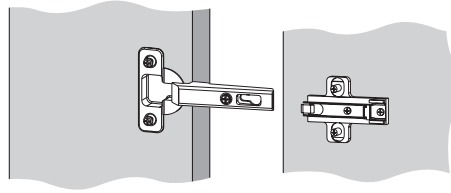
Insert Door Hinge into rear recess in door



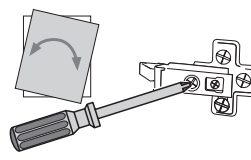
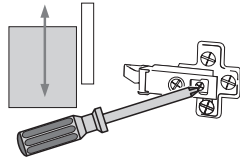
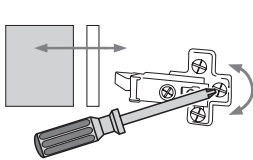
Affix Hinge Plate on cabinet



Now, Clip Hinge onto Hinge Plate



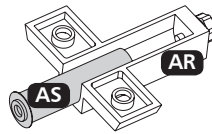
Turn screws as shown to adjust door position



## 11 Push-to-open

### Fixing of Magnetic Catch

First, carefully push the magnetic catch **AS**, into the holder **AR**, as shown, until it clips onto the adjustment screw at the end.

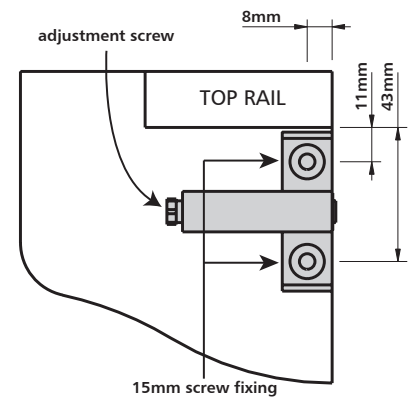


This is now ready to be fitted to the unit.

Carefully mark holes for fixing the holder, in the positions shown, and using a 3mm drill bit, drill approximately 5mm deep.

Then fix the complete magnetic holder to the side panel, as shown.

Once fitted, use the adjustment screw to fix catch **AS** in the optimum position.

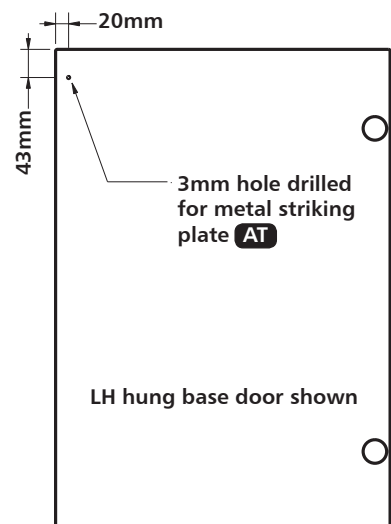


### Fixing of Strike Plate

Using a 3mm drill bit, carefully drill a hole in the door, as shown, approximately 10mm deep.

Now tap the strike plate **AT** into this hole, and close the door.

The door should be pushed onto the magnetic catch, to close it. Then, to open the door, simply push the door again, and release, and the door should open. If the door does not open smoothly, then it may require further adjustment of the hinges.



## 12 Handles Position as required.

**NOTE:** care should be taken when drilling for the handle so as not to drill in to the shelf.

## 13 Drawer Fitting Refer to drawer assembly guide with the drawer pack.