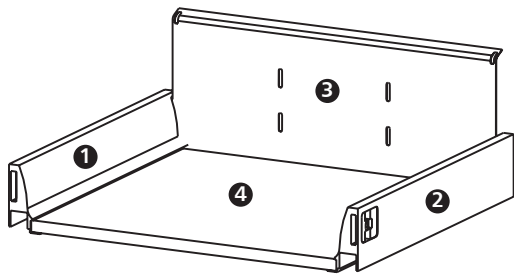


ASSEMBLY GUIDE

500 | 600 | 800mm**

PAN DRAWERS

Pan Drawer Box



This illustration shows a 600mm Pan Drawer

- 1 LH Drawer Side
- 2 RH Drawer Side
- 3 Metal Drawer Back
- 4 Drawer Base

500mm & 600mm Pre-assembled Pan Drawers Only.

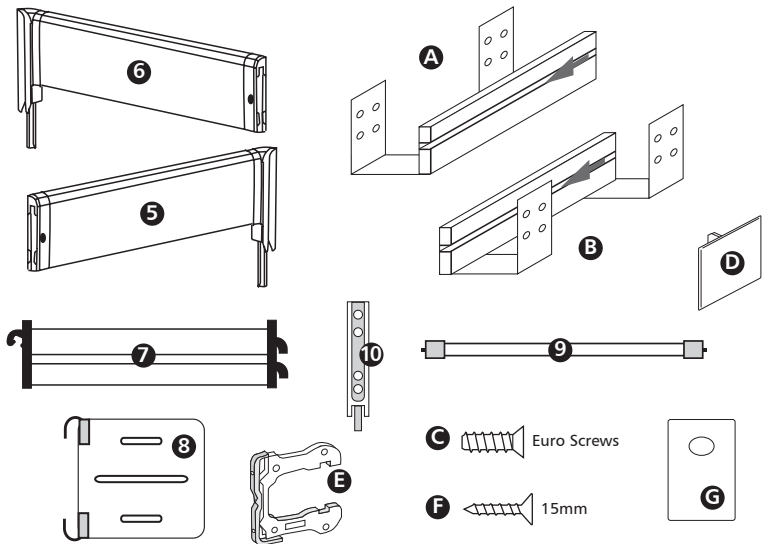
** With 800mm Drawers all drawer components are flat packed for this product.

- 3 x 1 LH Drawer Side
- 3 x 2 RH Drawer Side
- 2 x 3 Metal Drawer Back
- 3 x 4 Drawer Base
- 1 x 11 LH Rear Back Support
- 1 x 12 RH Rear Back Support
- 1 x 13 Chipboard Back Rail



Please use scissors to open the bag of fittings and then empty the contents into a bowl, so that they do not get lost!

Hardware



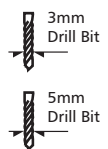
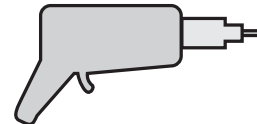
500mm		600mm		800mm	
2 x 5	2 x A	2 x 5	2 x A	2 x 5	3 x A
2 x 6	2 x B	2 x 6	2 x B	2 x 6	3 x B
1 x 7	16 x C	2 x 7	16 x C	3 x 7	24 x C
4 x 8	4 x D	8 x 8	4 x D	12 x 8	6 x D
2 x 9	4 x E	2 x 9	4 x E	2 x 9	6 x E
4 x 10	16 x F	4 x 10	16 x F	4 x 10	36 x F
	4 x G		4 x G		6 x G

Minimum Tools required

Cross Head Screwdriver



Drill



Before you Start . . .

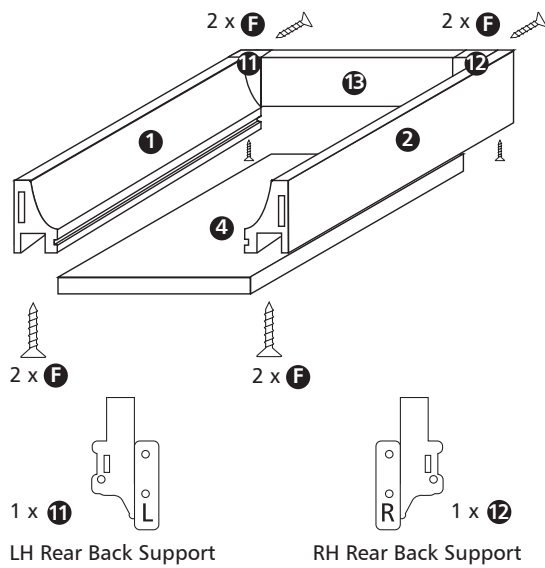
WARNING: Installation should be performed by a competent person only. This product could be dangerous if incorrectly installed. If any items are missing, or problems arise with fitting, please call the Manufacturers' Helpline on **01769 575500** and our team will get things sorted.

Video assembly guides can be viewed at www.mycabinetguide.co.uk

Cleaning – Use mild soap and water only. Do not use abrasive cleaners.

*Assembly of 800mm Drawer System

Top Drawer If you are fitting non-framed drawers, the top drawer, drawer sides will be 122mm high.



Fit LH Rear Back Support **11** to LH Drawer side **1**.

Fit RH Rear Back Support **12** to RH Drawer Side **2**. Fit LH and RH Drawer Sides to Drawer base and turn upside down.

Fix with 2 x **F** screws per side.

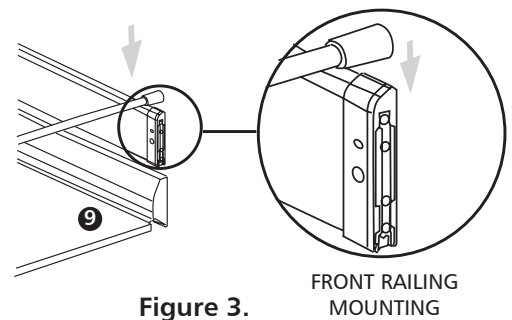
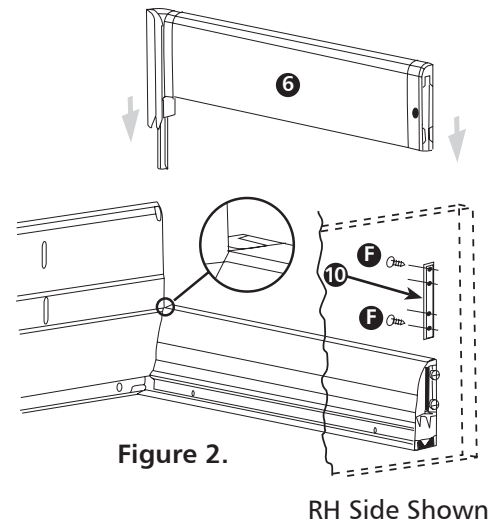
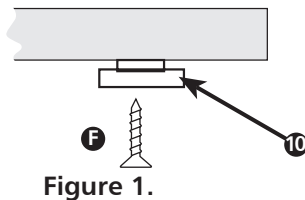
Now Fit Back Rail **13** (edging to top) between rear back supports and fix with 2 x **F** screws per side.

Pan Drawer

Clip Drawer Sides **1** and **2** to Metal Drawer Back **3**. Turn Drawer upside down and slide Base Panel **4** into position. Secure with 2 x **F** screws per side.

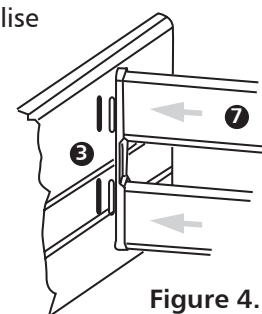
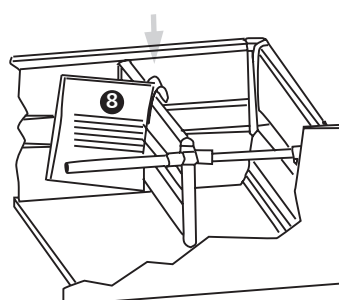
1 Pan Drawer Fittings

- Identify both left and right hand drawer extensions **5** and **6**.
- Remove plastic drawer front securing plates **10** from front ends of drawer side extensions by holding 'extended pull tab' and pulling downwards to withdraw.
- Affix securing plates (keeping 'pull tabs' at bottom) to drawer front with 2 x **F** screws into top & bottom holes. (see fig1. and fig2.)
- Identify Front Rail **9** which has spring loaded ends. Secure Front Rail to front of drawer side extensions by pushing downwards as shown in Fig3. Spring loaded ends will engage with small recessed slots.

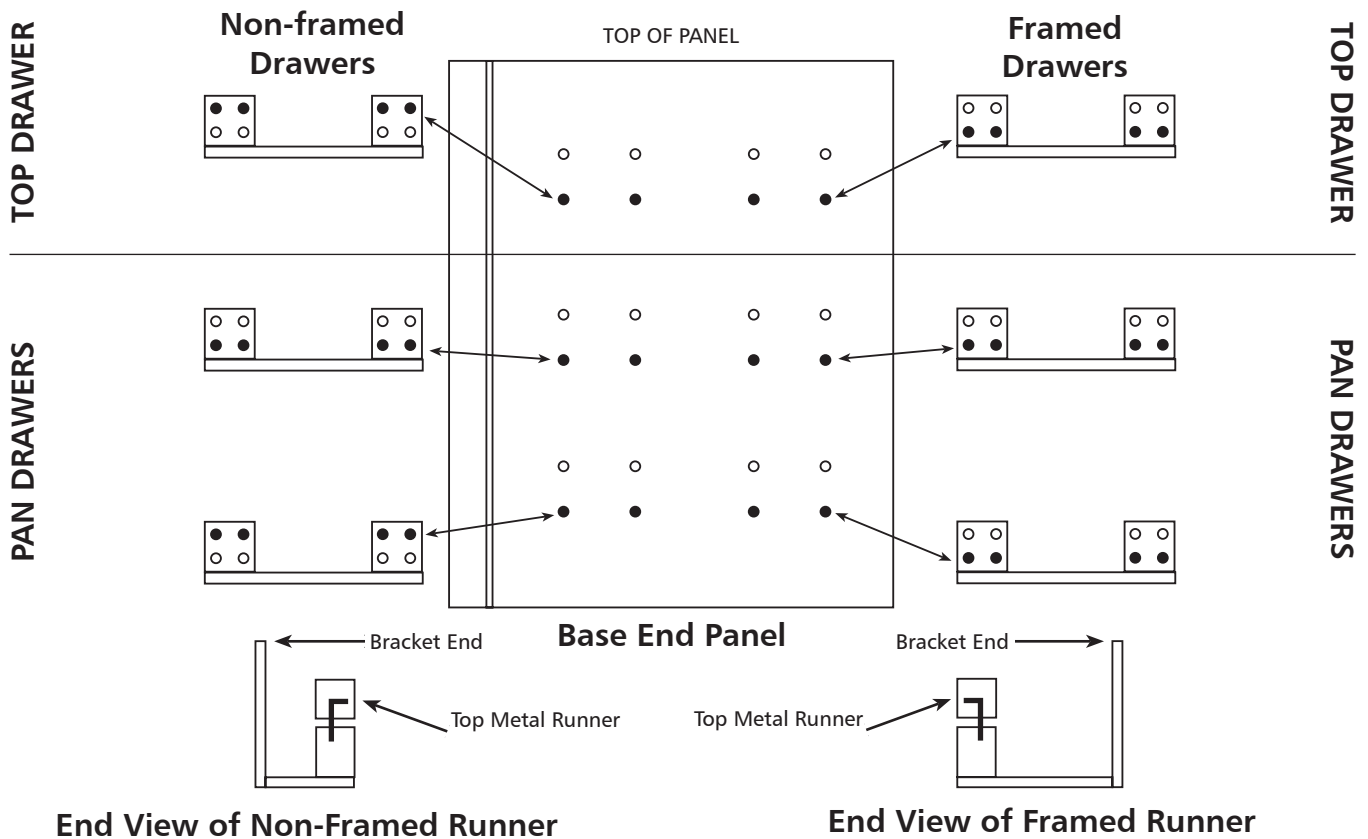


- Identify centre divider **7**. Ease locating lugs into Metal Back Panel **3** and centralise curved moulding over Front Rail **9**. Push down to engage (see fig.4)

- Place adjustable divider **8** to required position within drawer unit, and secure to centre divider (with large curved moulding at top) by firmly pushing downwards to engage (see fig.5)



② Positioning / Fitting of Drawer Runners



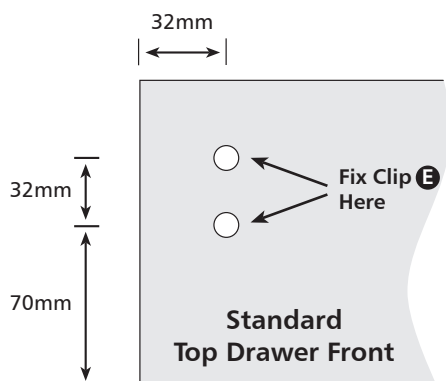
Important: Check that you have the correct runner style for your cabinet (i.e. 'Non-Framed' or 'Framed')

Assembly:

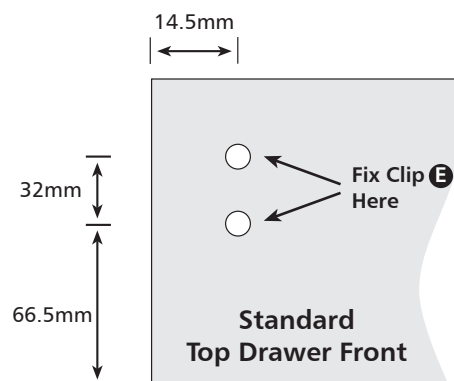
1. Before fitting drawer runners to base end panels, check that you have a 'pair' of runners for right and left hand operation. Pull top metal runner fully towards you to establish 'handing'.
2. Refer to illustration above to match correct runner bracket holes to base end panel holes (RH panel shown), then fix runner with 4 x Euro screws **C** - Repeat for LH end.

③ Positioning / Fitting of Drawer Fronts

Non-framed Drawers



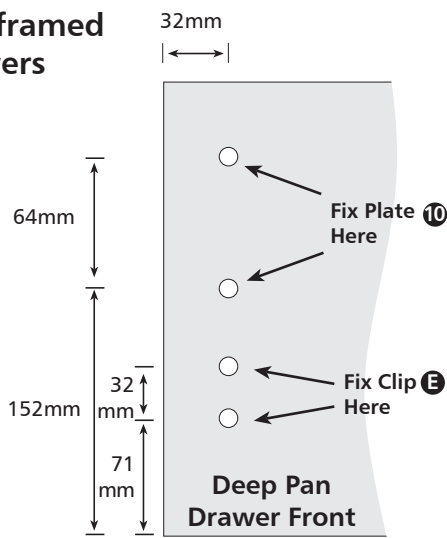
Framed Drawers



- a. Identify drawer front clip **E** (2 per drawer front)
- b. Hold plastic clip in one hand, and with other hand 'unlock' metal part of clip by swivelling through 90°
- c. Secure metal clip **E** to back of drawer front with 2 x **F** screws. Reposition plastic portion of clip by swivelling it back through 90°
- d. Present drawer front with its clips facing towards front of drawer sides, and insert both plastic clips into drawer sides - pushing carefully until fully located.

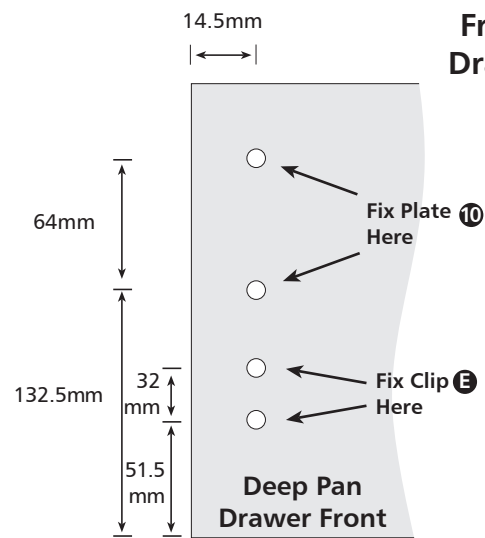
* Repeat this procedure for fixing other clip.

Non-framed Drawers



14.5mm

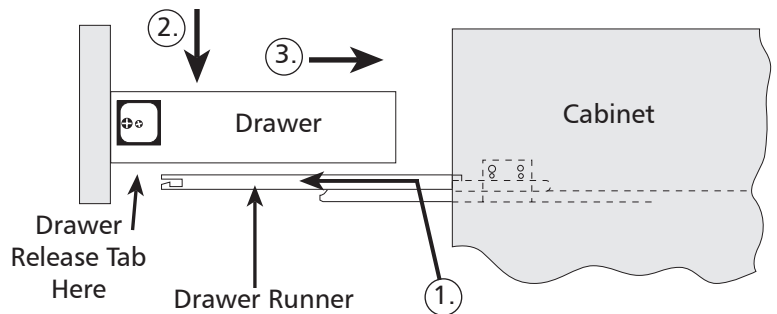
Framed Drawers



④ Positioning / Fitting of Completed Drawer

To Fit Drawer

- ①. Extend drawer runners fully out and place drawer onto runners as shown.
- ②. Carefully push down on the drawer, to ensure correct location.
- ③. Now carefully push drawer in until you hear it 'click' into position.



To Remove Drawer

Pull drawer out until it stops. Press both drawer release tabs up and carefully pull the drawer further out to release it from the runners. You can now lift the drawer off the runners.

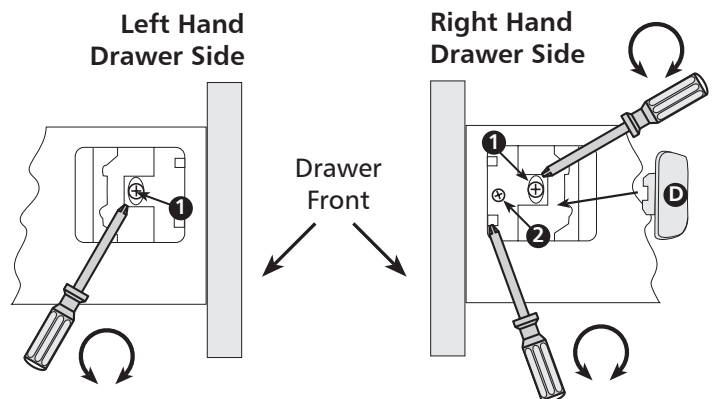
⑤ Final Adjustment of Drawer Front

For **Vertical** adjustment, loosen screws ① adjust Drawer front to desired position, re-tighten screws ①.

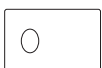
For **Horizontal** adjustment, turn screw ② clockwise or anticlockwise for required positioning.

NOTE: Screw ② is only present in the RH drawer side.

To complete unit, lock Drawer front to Drawer sides by inserting 2 x ④ locking plates into adjustment screw recesses.



⑥ For Framed Drawers only



4 x ⑥
6 x ⑥ for 800mm

Drawer Stop
(required for framed drawers only)

Fit drawerstop ⑥ to inside of the LH and RH sides of frame to achieve correct position of drawer front when closed.

