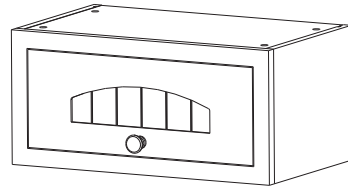
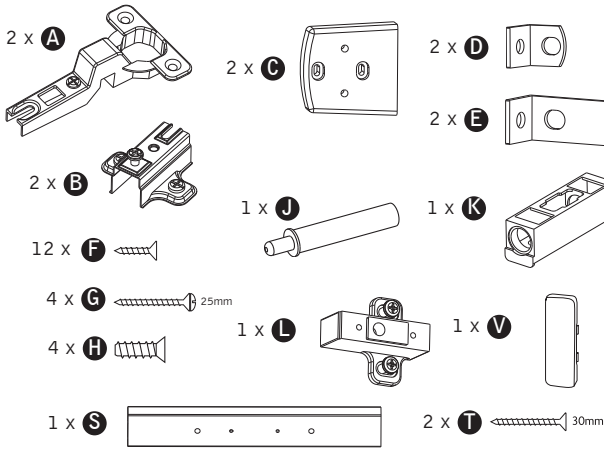


# ASSEMBLY GUIDE



## BRIDGING DOOR & FRAME FIXING

### Hardware

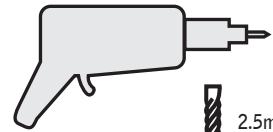


### Tools

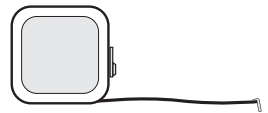
Cross Head Screwdriver



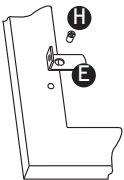
Drill & Drill Bit



Tape Measure



## 1 Frame fitting (fixings supplied in hinge packs)



Fix 2 x frame bracket **D** to the top left and right hand sides of the frame (closest to the hinge), using 2 x screws **H**, into the pre-drilled holes. Then fix 2 x frame bracket **E** to the bottom left and right hand sides of the frame, using 2 x screws **H**, into the pre-drilled holes.

Now carefully push the frame onto the front of the cabinet, and adjust to the correct position, before finally securing the frame in place, using 4 x screws **F**.

## 2 Hinge fixing for bridging doors

Firstly you will need to fit the hinge spacer blocks **C**, over the existing hinge holes in the top panel. (It should be noted that some door designs require the hinges to be fitted in a different position to those already drilled in the cabinet. Check for any alternative hinge fixing instructions in the bridging door pack before fitting the spacer blocks)

continued . . .

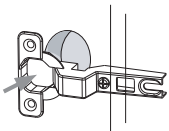
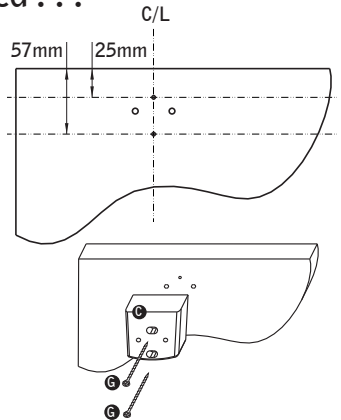
## 2 Hinge fixing for bridging doors, continued . . .

Measure and then draw a line at the centre point between the existing hinge plate holes, as shown. Then mark additional positions at 25mm and 57mm, as shown, and then pilot drill these to approximately 10mm, with a 2.5mm drill bit. Take care not to drill through the panel.

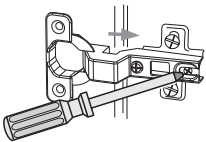
Now, using these holes, secure the spacer blocks **C** into place with the flat edge towards the door frame, as shown, using screws **G**.

You are now ready to fix the hinge plates.

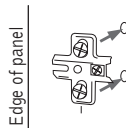
Separate hinge from hinge plate if supplied attached.



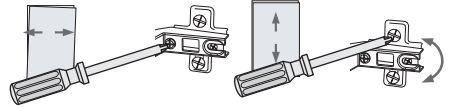
Insert door hinge **A** into recess in door and affix using 2 x **F** screws.



Connect door hinge to cabinet and tighten screw shown.



Affix hinge plate **B** to cabinet using pre-drilled holes with pre-mounted screws.



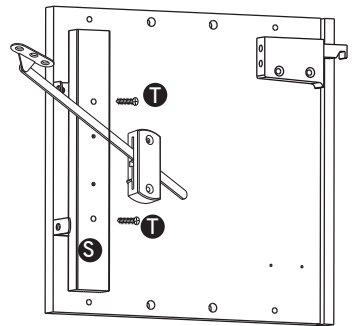
Turn screw as shown, to adjust the door position

## 3 Fitting of the bridging stay

Fix the spacer **S** to the LH side of the unit, using 2 x screw **T**, ensuring that it is flush up against the frame brackets, as shown.

Now fix the plastic part of the stay, to the spacer **S**, locating into the pre-marked positions and so that the majority of the stay is to the front of the unit.

Now fix the bridging stay to the door, using the pre-drilled holes, with 2 x screws **F**.



## 4 Door buffer fixing

Fit the door buffer mounting block **L** into the pre-drilled hinge holes towards the RH side of the base panel, securing in place with the pre-fitted screws. Note that the longer section of block **L** should be towards the front of the cabinet.

Now attach the door buffer carrier **K** to the mounting block **L**, using 2 x screws **F**, so that the small lip on the carrier **K** is towards the front. Insert the buffer piston **J** into the carrier **K**, and finally fit the cover plate **V** to the top of the carrier, to complete.

