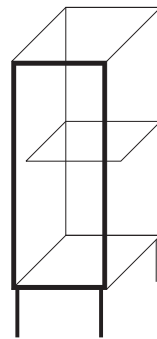


# ASSEMBLY GUIDE



300mm WIDE

# BASE

Cabinet

Panels	Hardware	Tools required
<p>2 x <b>1</b> Side Panels      1 x <b>4</b> Back Panel            1 x <b>2</b> Top Panel      1 x <b>5</b> Adjustable Shelf            1 x <b>3</b> Base Panel</p>	<p>8 x <b>A</b>       4 x <b>E</b>             8 x <b>H</b>       2 x <b>F</b>             22 x <b>B</b>  15mm      12 x <b>G</b>             2 x <b>R</b>  25mm</p> <p><b>Hinges (standard doors only)</b></p> <p>2 x <b>I</b>       2 x <b>M</b>             2 x <b>N</b> </p> <p><b>Legs</b></p> <p>4 x <b>O</b>       4 x <b>Q</b>       2 x <b>P</b>             2 x <b>S</b> </p>	<p>Cross Head Screwdriver  </p> <p>Drill &amp; Drill Bits  </p> <p>To construct cabinets &amp; legs 3mm      To fit handles 4.5mm</p> <p>PVA Wood Glue  </p> <p>Pliers x 2  </p> <p>Hammer  </p> <p>Spirit Level  </p>

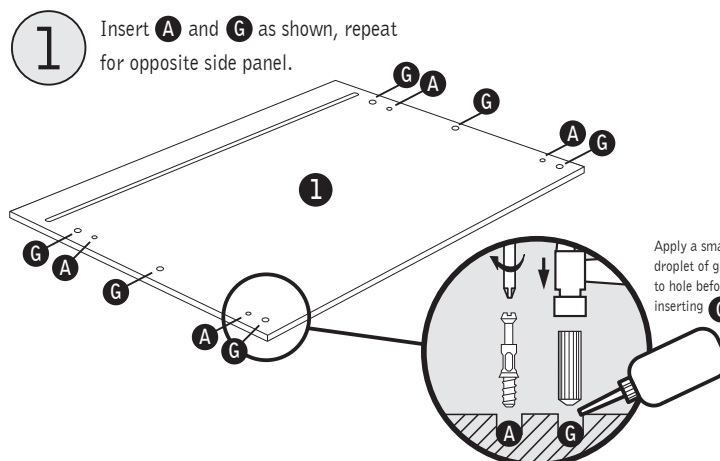
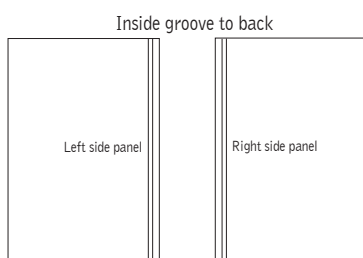
## Before you start . . .

**WARNING:** Installation should be performed by a competent person only. This product could be dangerous if incorrectly installed. Check the pack and make sure all the components are included - if not, call the Manufacturers' Helpline on **01769 575500** and their team will get things sorted. When you are ready to start make sure you have the right tools to hand, plenty of space and a clean dry area for building. Don't rush, read the instructions first and run through the sequence before you begin. Assembly should be done in the stages shown in the following diagrams, constructing **one** unit at a time and keeping fittings together to avoid loss. Lay large panels on the floor using the packaging for protection. Do not over tighten screws.

**Cleaning** - Use mild soap and water only. Do not use abrasive cleaners.

Video assembly guides can be viewed at [www.mycabinetguide.co.uk](http://www.mycabinetguide.co.uk)

Note: If you are using a colour matched end panel, use this to replace the identically sized side panel supplied within this pack.

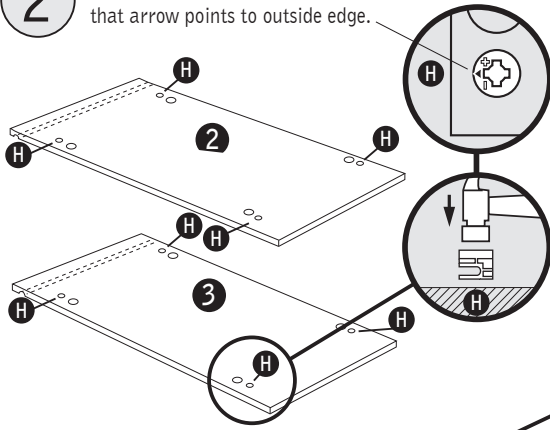


Please note at this point if you are building a drawer line unit it is advisable to fit the drawer runners at this stage.

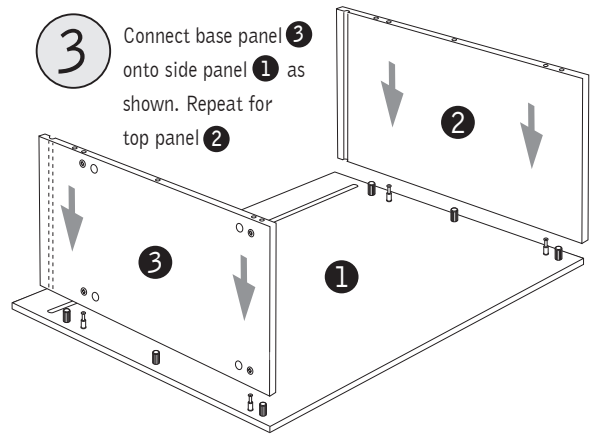
If fitting the standard drawer boxes please use the pre marked positions on the cabinet.

If you have chosen upgraded drawer boxes or framed doors, refer to the instructions supplied with the drawer box.

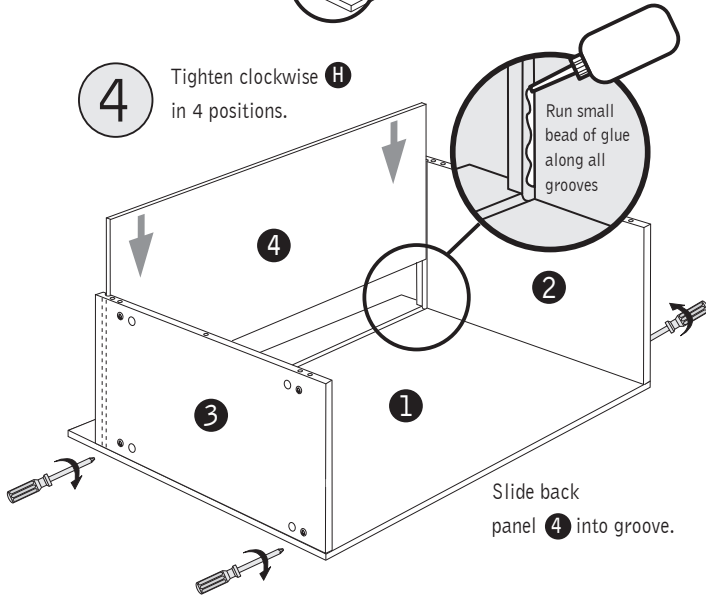
**2** Insert **H** as shown. It's **IMPORTANT** that arrow points to outside edge.



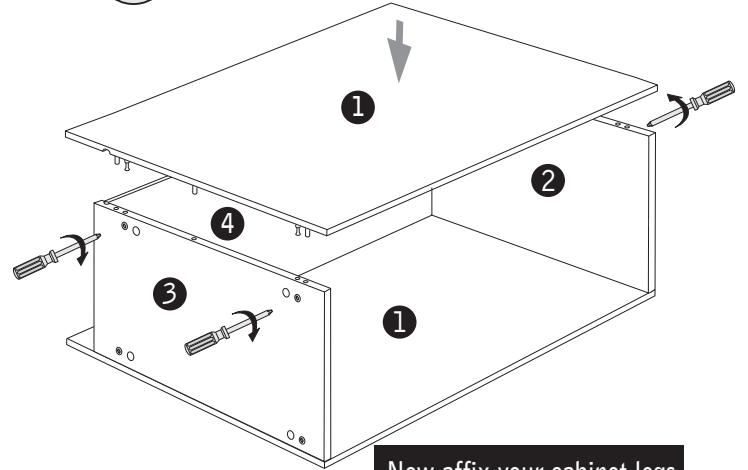
**3** Connect base panel **3** onto side panel **1** as shown. Repeat for top panel **2**



**4** Tighten clockwise **H** in 4 positions.

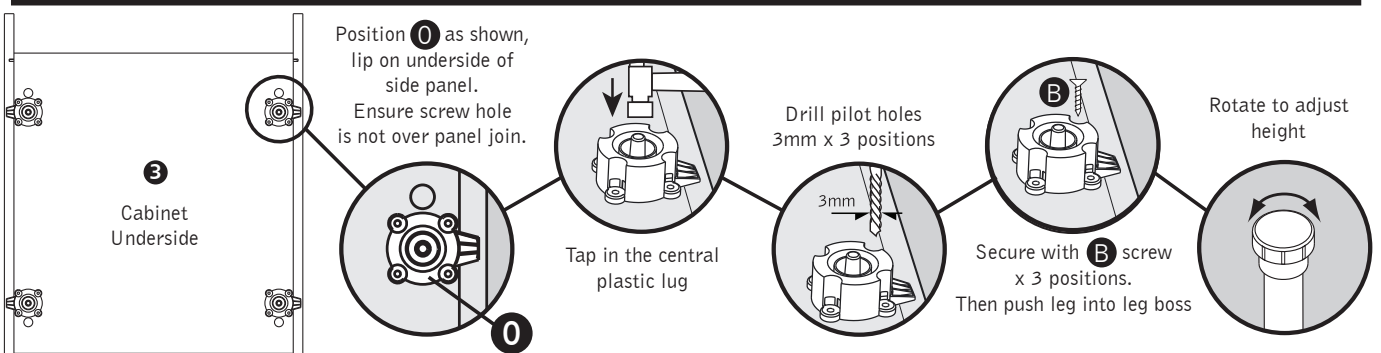


**5** Connect side panel **1** as shown, tighten clockwise **H** in 4 positions.

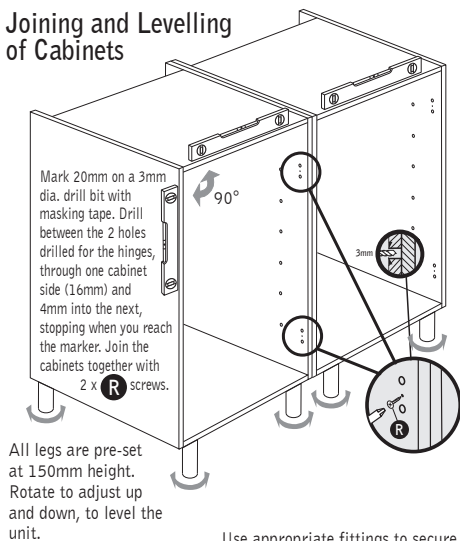


**Now affix your cabinet legs**

Visit us at [www.diy.com](http://www.diy.com)



### Joining and Levelling of Cabinets

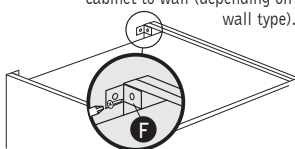


All legs are pre-set at 150mm height. Rotate to adjust up and down, to level the unit.

Use appropriate fittings to secure cabinet to wall (depending on wall type).

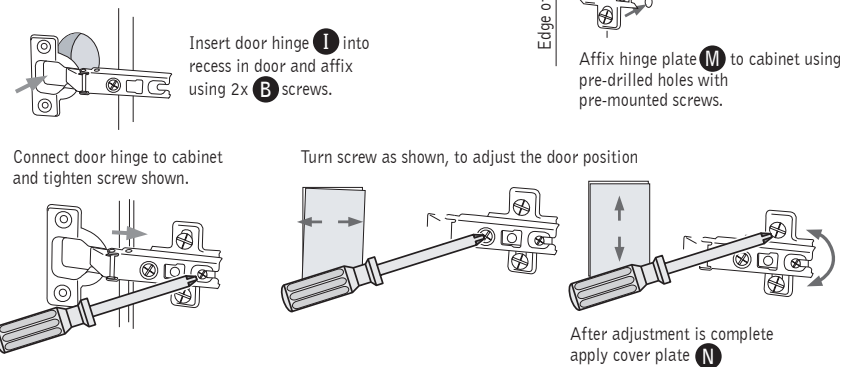
### Fitting to wall

Drill 3mm pilot hole. Fix bracket **F** with **B** screw.



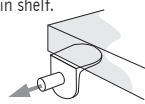
### Door hinges (standard doors only)

If you have chosen framed doors, refer to the instructions supplied in the separate hinge pack for frame fixing, fitting and adjustment of hinges.



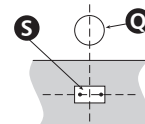
### To fit shelves

Push shelf support **E** into chosen shelf position holes, 4 per shelf. Tilt and slide in shelf.



### To fit plinths

Lay plinth panel in front of cabinet. Position plinth clip plate **S** opposite front cabinet legs. Secure with 2 x screws **B**. Slide **P** into **S**. Stand plinth up.



### To fit door handles

Position your choice of handle (available separately) using the drilling guide available in stores.