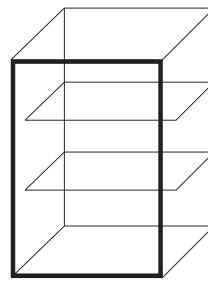


# ASSEMBLY GUIDE



500mm WIDE  
**WALL**  
Cabinet

Panels	Hardware	Tools required
<p>2 x <b>1</b> Side Panels      1 x <b>4</b> Back Panel 1 x <b>2</b> Top Panel      2 x <b>5</b> Adjustable Shelves 1 x <b>3</b> Base Panel</p>	<p>8 x <b>A</b>       8 x <b>E</b> </p> <p>4 x <b>B</b>  15mm      8 x <b>G</b> </p> <p>2 x <b>R</b>  25mm      8 x <b>H</b> </p> <p>4 x <b>D</b>  30mm</p>	<p>Cross Head Screwdriver </p> <p>Drill &amp; Drill Bits </p> <p>To construct cabinets &amp; legs 3mm      To fit handles 4.5mm</p> <p>PVA Wood Glue </p> <p>Pliers x 2 </p> <p>Hammer </p> <p>Spirit Level </p>
	<p><b>Wall Fixings</b>      <b>Hinges</b> (standard doors only)</p> <p>2 x <b>L</b>       2 x <b>I</b> </p> <p>2 x <b>K</b>       2 x <b>M</b> </p> <p>2 x <b>N</b> </p>	

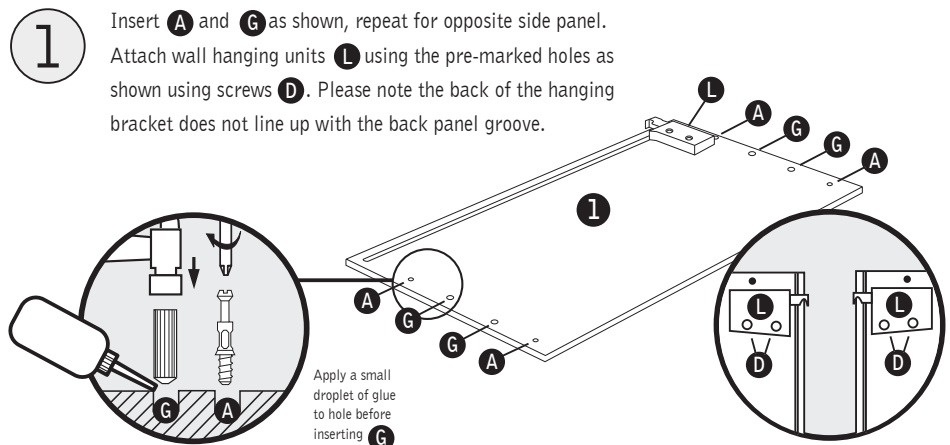
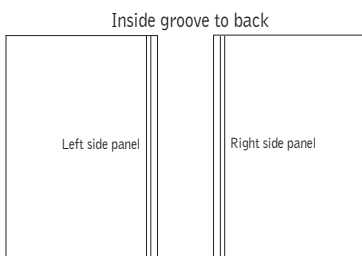
## Before you start . . .

**WARNING:** Installation should be performed by a competent person only. This product could be dangerous if incorrectly installed. Check the pack and make sure all the components are included - if not, call the Manufacturers' Helpline on **01769 575500** and their team will get things sorted. When you are ready to start make sure you have the right tools to hand, plenty of space and a clean dry area for building. Don't rush, read the instructions first and run through the sequence before you begin. Assembly should be done in the stages shown in the following diagrams, constructing one unit at a time and keeping fittings together to avoid loss. Lay large panels on the floor using the packaging for protection. Do not over tighten screws.

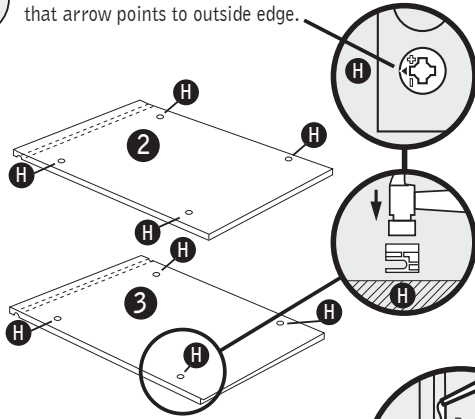
Cleaning - Use mild soap and water only. Do not use abrasive cleaners.

▶ Video assembly guides can be viewed at [www.mycabinetguide.co.uk](http://www.mycabinetguide.co.uk)

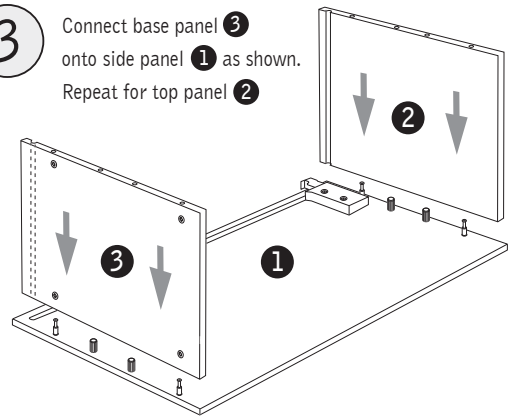
Note: If you are using a colour matched end panel, use this to replace the identically sized side panel supplied within this pack.



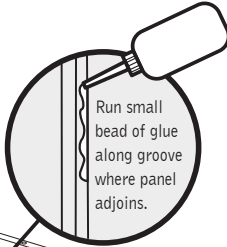
2 Insert **H** as shown. It's **IMPORTANT** that arrow points to outside edge.



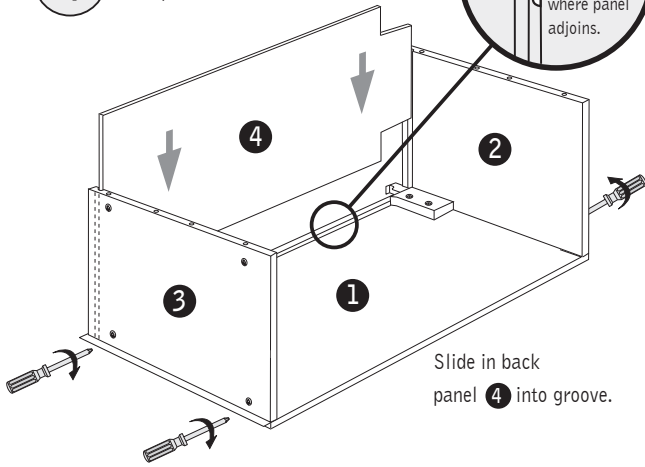
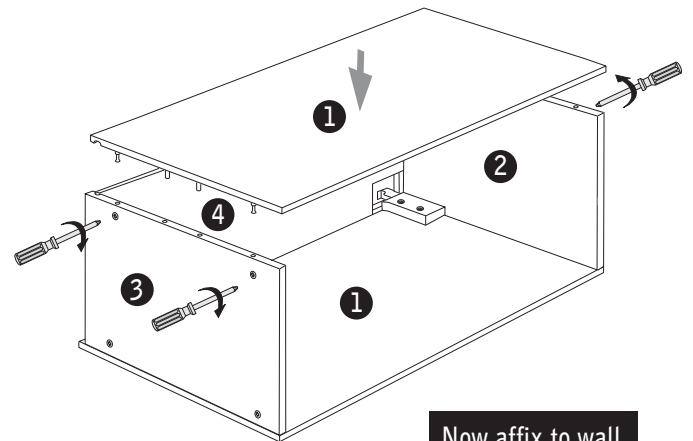
3 Connect base panel **3** onto side panel **1** as shown. Repeat for top panel **2**



4 Tighten clockwise **H** in 4 positions.

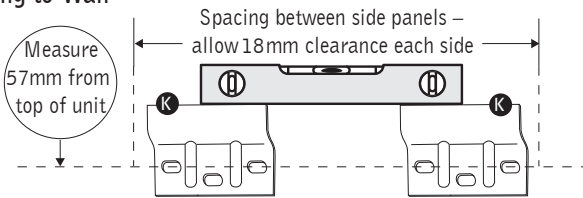


5 Connect side panel **1** as shown tighten clockwise **H** in 4 positions.

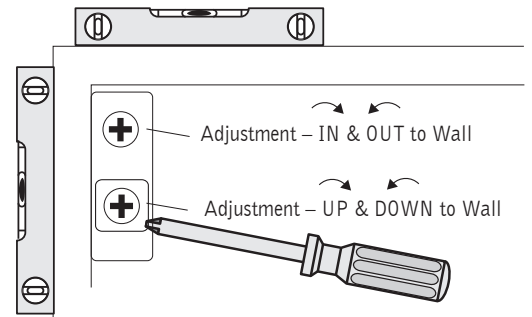


**Now affix to wall**

**Fixing to Wall**

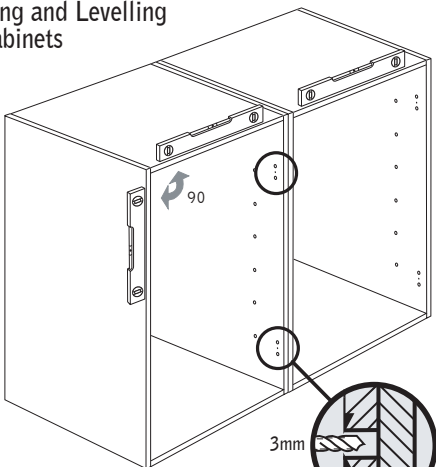


Hang cabinet onto wall brackets **K** and adjust to level as shown. Ensure that front face of unit is vertical by using spirit level.



Position and secure fitting brackets **K** to the wall with suitable fixings. **WARNING:** This unit could be dangerous if fitted incorrectly to the wall. (Fixings are not supplied with the pack as they vary according to the type of walls you have. If you are unsure, ask an expert).

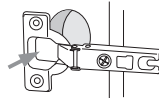
**Joining and Levelling of Cabinets**



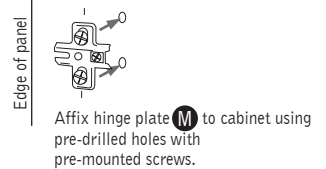
Mark 20mm on a 3mm dia. drill bit with masking tape. Drill between the 2 holes drilled for the hinges, through one cabinet side (16mm) and 4mm into the next, stopping when you reach the marker. Join the cabinets together with 2 x **R** screws.

**Door hinges (standard doors only)**

If you have chosen framed doors, refer to the instructions supplied in the separate hinge pack for the frame fixing, fitting and adjustment of hinges.

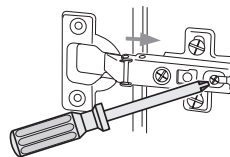


Insert door hinge **L** into recess in door and affix using 2x **B** screws.

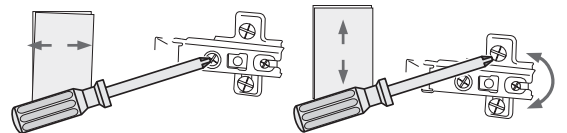


Affix hinge plate **M** to cabinet using pre-drilled holes with pre-mounted screws.

Connect door hinge to cabinet and tighten screw shown.



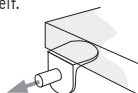
Turn screw as shown, to adjust the door position



After adjustment is complete apply cover plate **N**

**To fit shelves**

Push shelf support **E** into chosen shelf position holes, 4 support per shelf. Tilt and slide in shelf.



**To fit door handles**

Position your choice of handle (available separately) using the drilling guide available in stores.