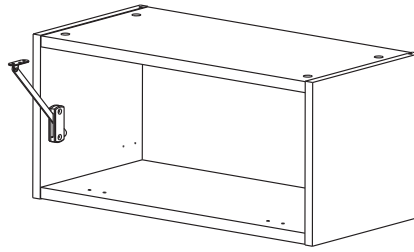


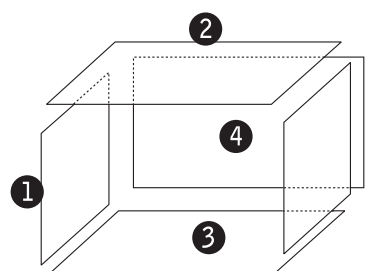




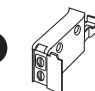
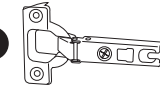
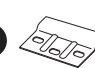


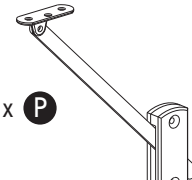
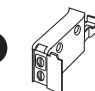
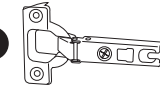
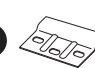


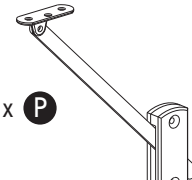

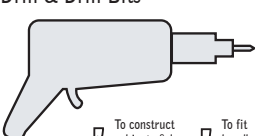


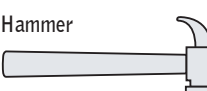

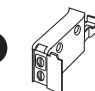
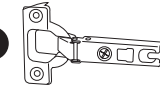
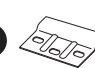


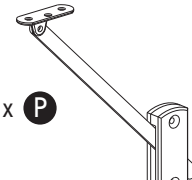
ASSEMBLY GUIDE



600mm WIDE

WALL

Bridging Cabinet

Panels	Hardware	Tools required								
 <p>2 x 1 Side Panels 1 x 3 Base 1 x 2 Top Panel 1 x 4 Back Panel</p>	<p>8 x A </p> <p>6 x B  15mm</p> <p>4 x R  25mm</p> <p>4 x D  30mm</p> <table border="1"> <thead> <tr> <th data-bbox="651 705 877 772">Wall Fixings</th> <th data-bbox="877 705 1129 772">Hinges (standard doors only)</th> </tr> </thead> <tbody> <tr> <td>2 x L </td> <td>2 x I </td> </tr> <tr> <td>2 x K </td> <td>2 x M </td> </tr> <tr> <td>2 x N </td> <td>1 x P </td> </tr> </tbody> </table>	Wall Fixings	Hinges (standard doors only)	2 x L 	2 x I 	2 x K 	2 x M 	2 x N 	1 x P 	<p>Cross Head Screwdriver </p> <p>Drill & Drill Bits </p> <p>To construct cabinets & legs 3mm To fit handles 4.5mm</p> <p>PVA Wood Glue </p> <p>Pliers x 2 </p> <p>Hammer </p> <p>Spirit Level </p>
Wall Fixings	Hinges (standard doors only)									
2 x L 	2 x I 									
2 x K 	2 x M 									
2 x N 	1 x P 									

Before you start . . .

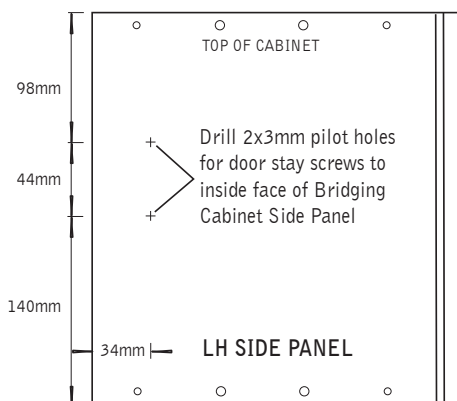
WARNING: Installation should be performed by a competent person only. This product could be dangerous if incorrectly installed. Check the pack and make sure all the components are included - if not, call the Manufacturers' Helpline on **01769 575500** and their team will get things sorted. When you are ready to start make sure you have the right tools to hand, plenty of space and a clean dry area for building. Don't rush, read the instructions first and run through the sequence before you begin. Assembly should be done in the stages shown in the following diagrams, constructing **one** unit at a time and keeping fittings together to avoid loss. Lay large panels on the floor using the packaging for protection. Do not over tighten screws.

Cleaning - Use mild soap and water only. Do not use abrasive cleaners.

Video assembly guides can be viewed at www.mycabinetguide.co.uk

1 Marking the stay fixing positions on the cabinet (standard doors only)

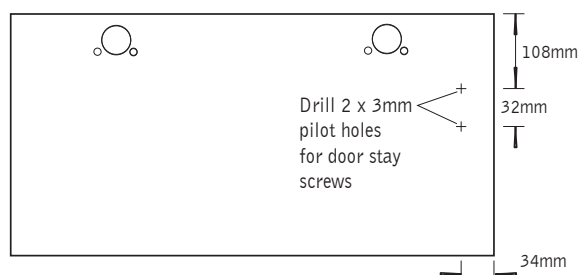
If you have chosen framed doors, refer to the instructions supplied in the separate hinge pack for stay fixing instructions.



2 Marking the stay fixing positions on the door (standard doors only)

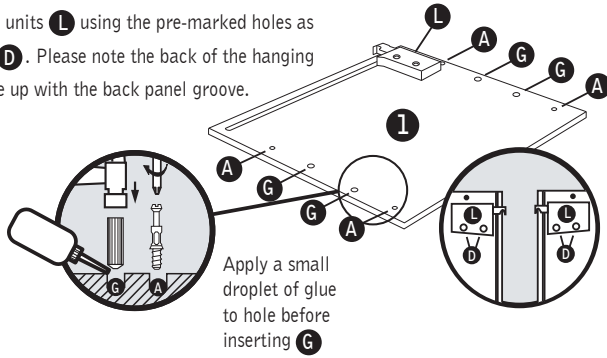
Drill inside face of Bridging Cabinet Door with 2x Pilot Holes at positions shown.

This stay is designed for LH fixing only. However, if you wish to fit it to the RH side, the 34mm dimension will need to be reduced to 14mm.

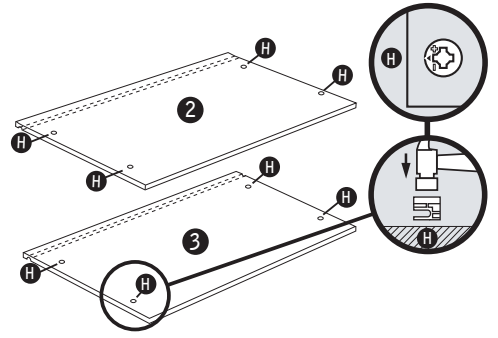


NOTE: Some standard door ranges have different hinge fixing positions for the bridging unit door, which may require you to drill some extra holes before assembling this unit. Check your bridging unit door pack before assembling this unit. If any extra drilling is required, you will find instructions in the door pack on how to do this.

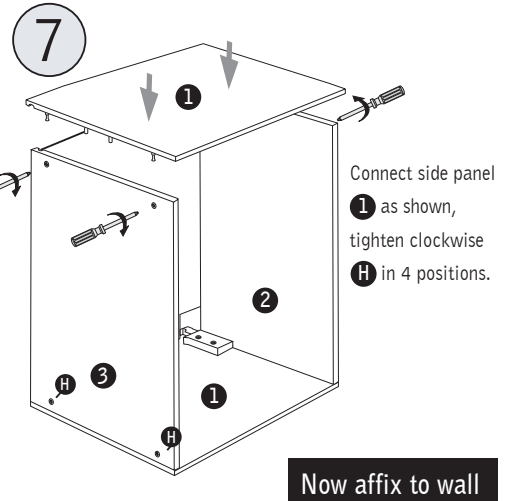
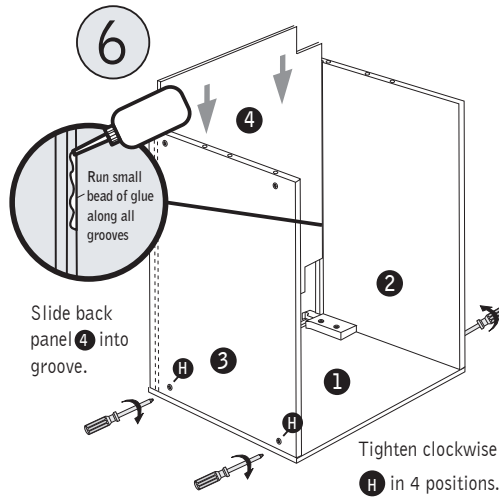
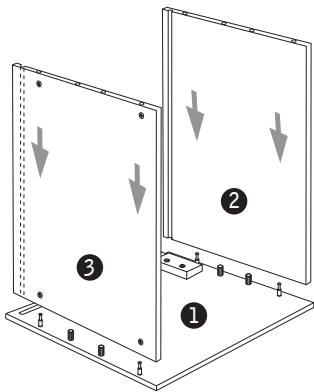
- 3** Insert **A** and **G** as shown, repeat for opposite side panel. Attach wall hanging units **L** using the pre-marked holes as shown using screws **D**. Please note the back of the hanging bracket does not line up with the back panel groove.



- 4** Insert **H** as shown. It's **IMPORTANT** that arrow points to outside edge.

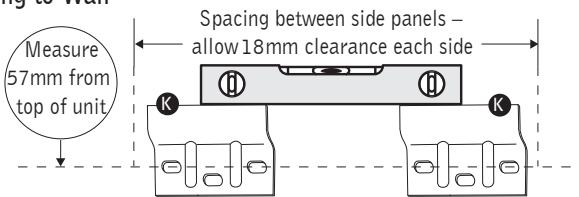


- 5** Connect base panel **3** onto side panel **1** as shown. Repeat for top panel **2**



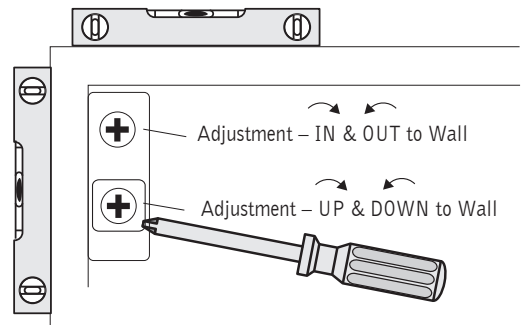
Now affix to wall

Fixing to Wall

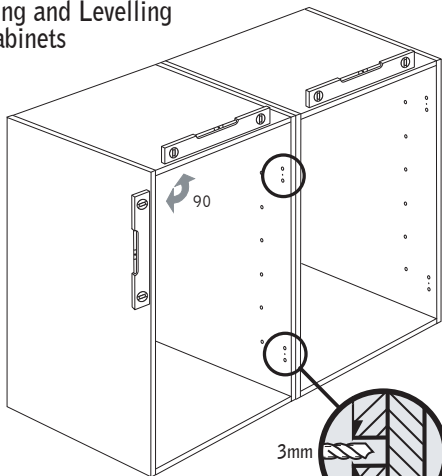


Position and secure fitting brackets **K** to the wall with suitable fixings. **WARNING:** This unit could be dangerous if fitted incorrectly to the wall. (Fixings are not supplied with the pack as they vary according to the type of walls you have. If you are unsure, ask an expert).

Hang cabinet onto wall brackets **K** and adjust to level as shown. Ensure that front face of unit is vertical by using spirit level.



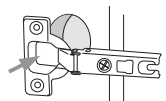
Joining and Levelling of Cabinets



Mark 20mm on a 3mm dia. drill bit with masking tape. Drill between the 2 holes drilled for the hinges, through one cabinet side (16mm) and 4mm into the next, stopping when you reach the marker. Join the cabinets together with 2 x **R** screws.

Door hinges (standard doors only)

If you have chosen framed doors, refer to the instructions supplied in the separate hinge pack for frame fixing, fitting and adjustment of hinges.



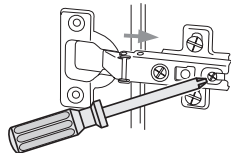
Insert door hinge **I** into recess in door and affix using 2x **B** screws.

Edge of panel

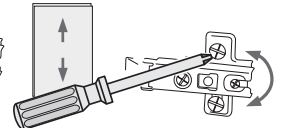
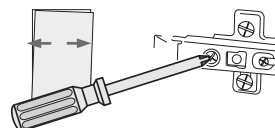


Affix hinge plate **M** to cabinet using pre-drilled holes with pre-mounted screws.

Connect door hinge to cabinet and tighten screw shown.

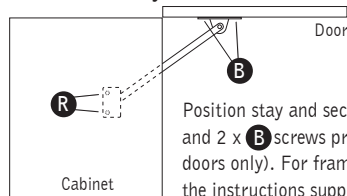


Turn screw as shown, to adjust the door position



After adjustment is complete apply cover plate **N**

To fit door stay



To fit door handles

Position your choice of handle (available separately) using the drilling guide available in stores.