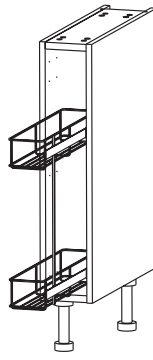


ASSEMBLY GUIDE



150mm WIDE (Pull Out) BASE Cabinet

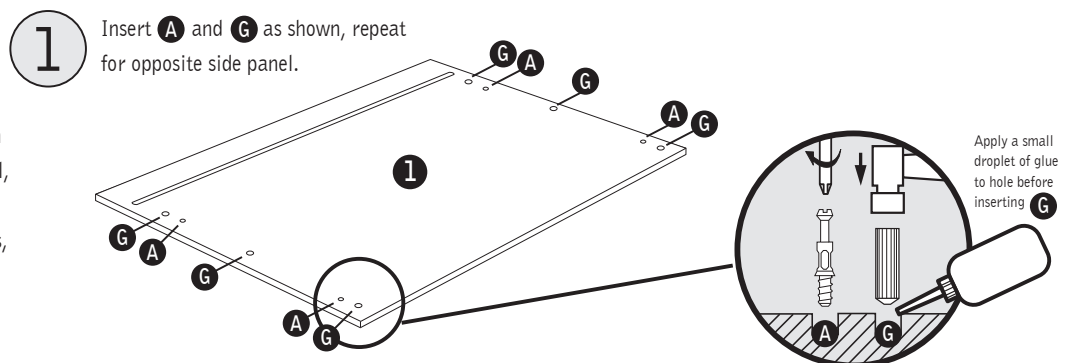
Panels	Hardware	Tools required
<p>2 x 1 Side Panels 1 x 3 Base Panel 1 x 2 Top Panel 1 x 4 Back Panel</p>	<p>8 x A 2 x F </p> <p>8 x H </p> <p>10 x B 15mm</p> <p>2 x R 25mm</p> <p>12 x G </p> <p>1 x Pull Out Wire System (Boxed) </p> <hr/> <p>Legs</p> <p>2 x O 2 x Q 1 x P </p> <p>1 x S </p>	<p>Cross Head Screwdriver </p> <p>Drill & Drill Bits </p> <p>To construct cabinets & legs 3mm To fit handles & legs 4.5mm </p> <p>PVA Wood Glue </p> <p>Pliers x 2 </p> <p>Hammer </p> <p>Spirit Level </p>

Before you start . . .

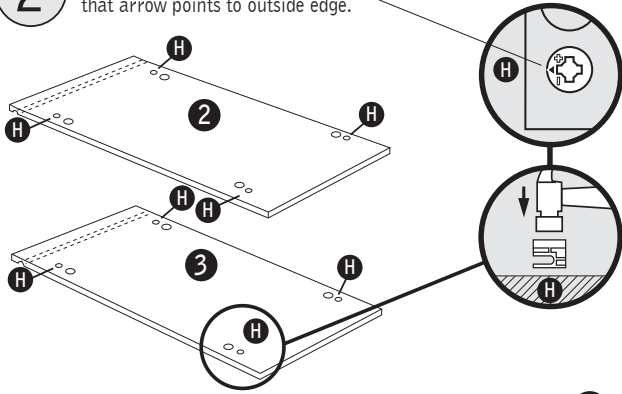
WARNING: Installation should be performed by a competent person only. This product could be dangerous if incorrectly installed. Check the pack and make sure all the components are included - if not, call the Manufacturers' Helpline on **01769 575500** and their team will get things sorted. When you are ready to start make sure you have the right tools to hand, plenty of space and a clean dry area for building. Don't rush, read the instructions first and run through the sequence before you begin. Assembly should be done in the stages shown in the following diagrams, constructing **one** unit at a time and keeping fittings together to avoid loss. Lay large panels on the floor using the packaging for protection. Do not over tighten screws.

Cleaning - Use mild soap and water only. Do not use abrasive cleaners.

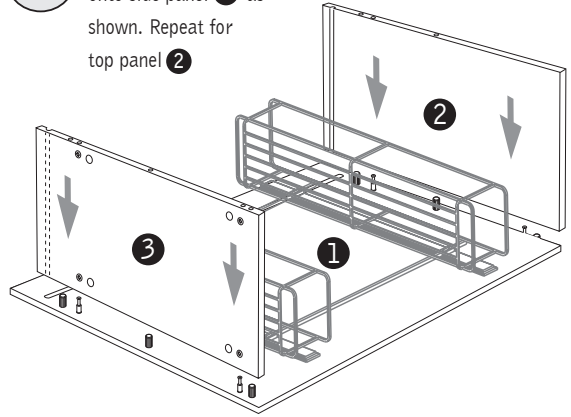
Video assembly guides can be viewed at www.mycabinetguide.co.uk



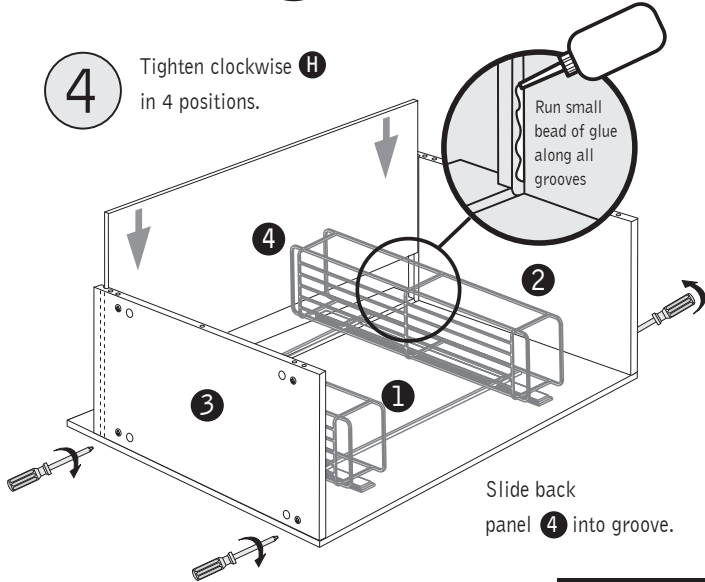
2 Insert **H** as shown. It's **IMPORTANT** that arrow points to outside edge.



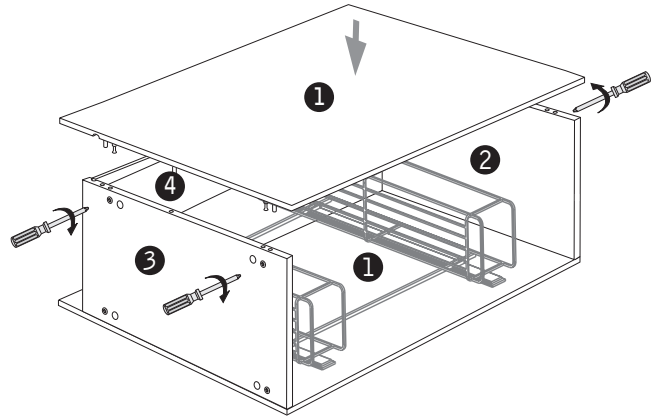
3 Connect base panel **3** onto side panel **1** as shown. Repeat for top panel **2**



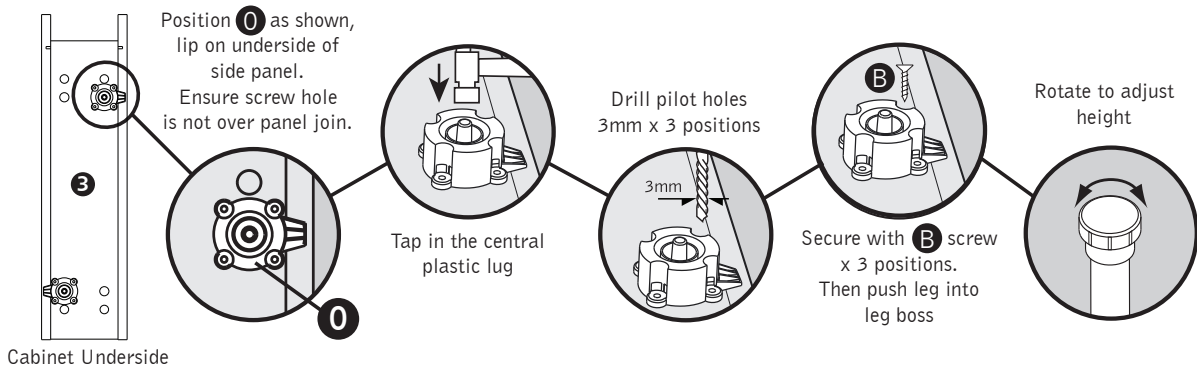
4 Tighten clockwise **H** in 4 positions.



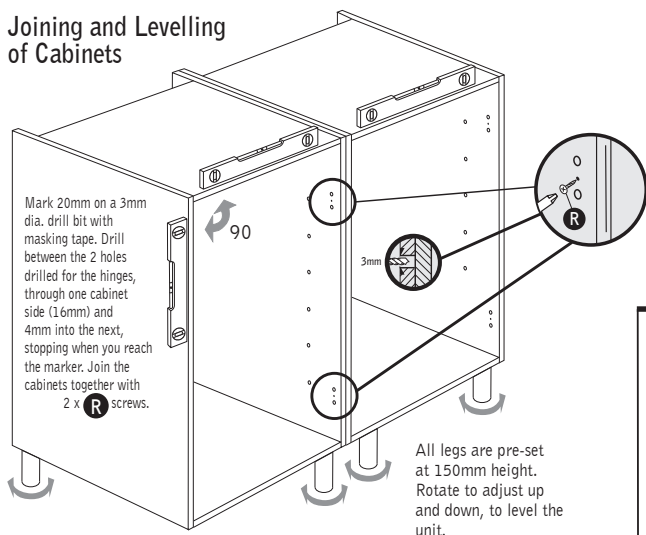
5 Connect side panel **1** as shown, tighten clockwise **H** in 4 positions.



Now affix your cabinet legs



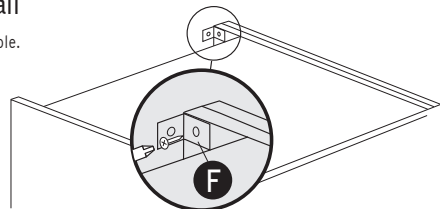
Joining and Levelling of Cabinets



Fitting to wall

Drill 3mm pilot hole. Fix bracket **F** with **B** screw.

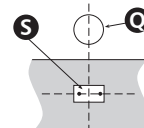
Use appropriate fittings to secure cabinet to wall (depending on wall type).



To fit plinths

Lay plinth panel in front of cabinet. Position plinth clip plate **S** opposite front cabinet legs. Secure with 2 x screws **B**.

Slide **P** into **S**. Stand plinth up.



To fit door handles

Position your choice of handle (available separately) using the drilling guide available in stores.