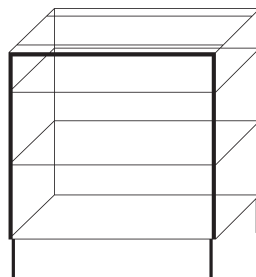


ASSEMBLY GUIDE

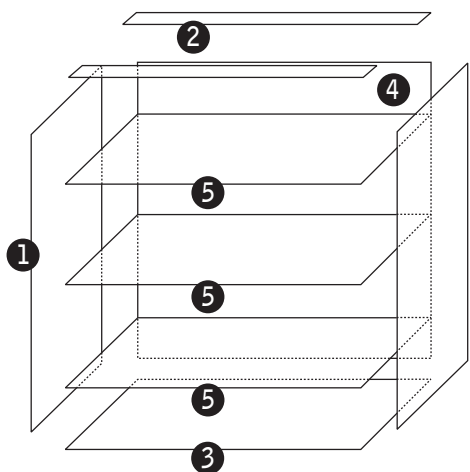


800mm WIDE

BASE

Pan Drawer Cabinet

Panels



- 2 x **1** Side Panels
- 2 x **2** Top Rails
- 1 x **3** Base Panel
- 1 x **4** Back Panel
- 3 x **5** Drawer Bases
(used for standard drawers only)

Hardware

- 8 x **A**
- 70 x **B** 15mm
- 2 x **R** 25mm
- 2 x **F**
- 10 x **G**
- 8 x **H**

Legs

- 5 x **O**
- 5 x **Q**
- 2 x **P**
- 2 x **S**

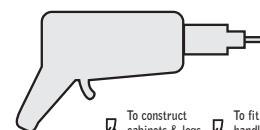
Drawer system is supplied separately

Tools required

Cross Head Screwdriver

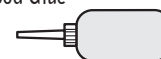


Drill & Drill Bits



To construct cabinets & legs 3mm
To fit handles 4.5mm

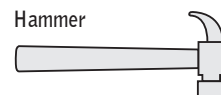
PVA Wood Glue



Pliers x 2



Hammer



Spirit Level



Before you start . . .

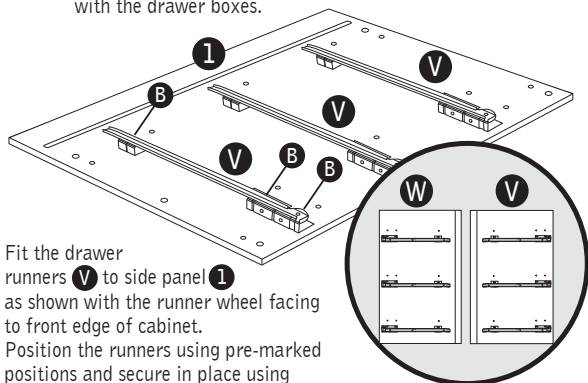
WARNING: Installation should be performed by a competent person only. This product could be dangerous if incorrectly installed. Check the pack and make sure all the components are included - if not, call the Manufacturers' Helpline on **01769 575500** and their team will get things sorted. When you are ready to start make sure you have the right tools to hand, plenty of space and a clean dry area for building. Don't rush, read the instructions first and run through the sequence before you begin. Assembly should be done in the stages shown in the following diagrams, constructing **one** unit at a time and keeping fittings together to avoid loss. Lay large panels on the floor using the packaging for protection. Do not over tighten screws.

Cleaning - Use mild soap and water only. Do not use abrasive cleaners.

Video assembly guides can be viewed at www.mycabinetguide.co.uk

1 Fixing of drawer runners (standard door ranges only)

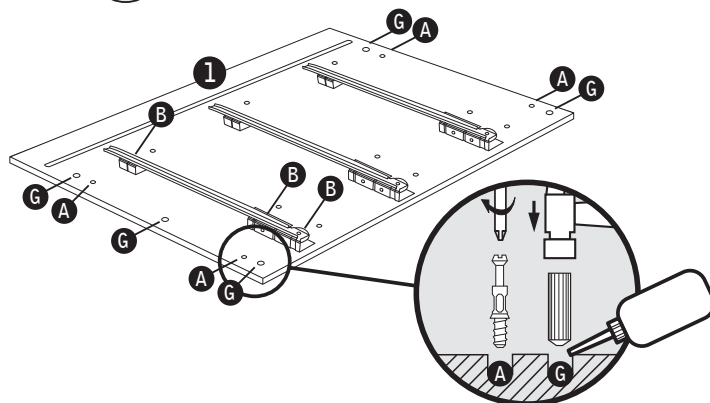
For framed door ranges, refer to the instructions supplied with the drawer boxes.



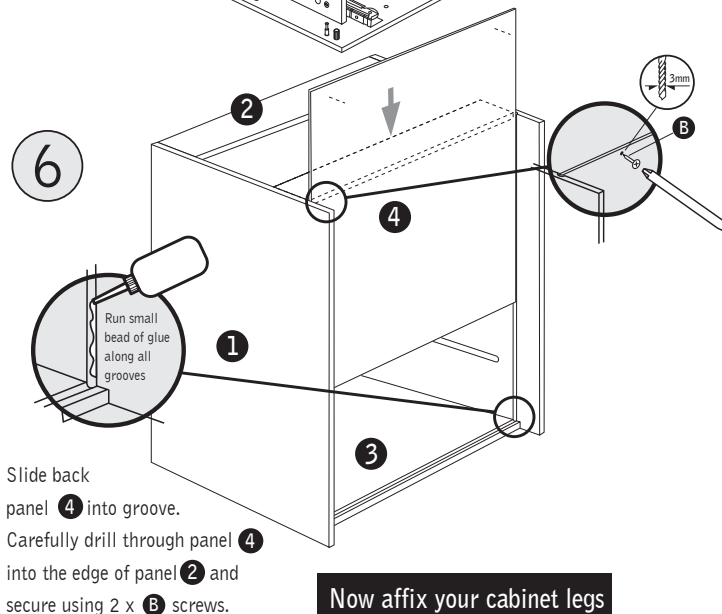
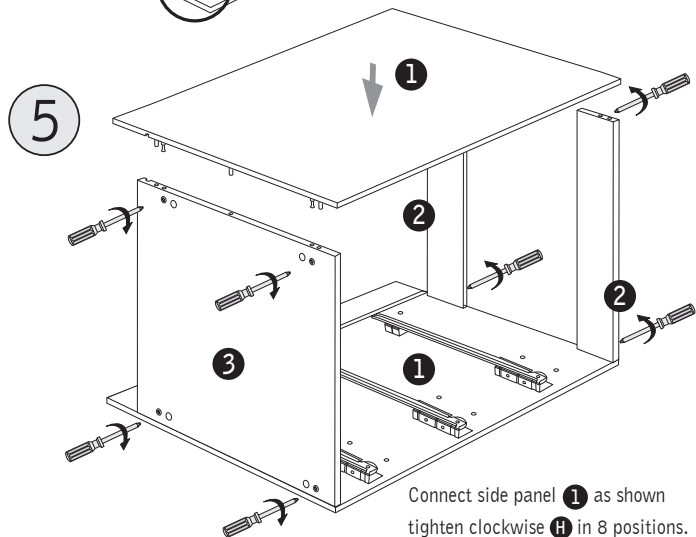
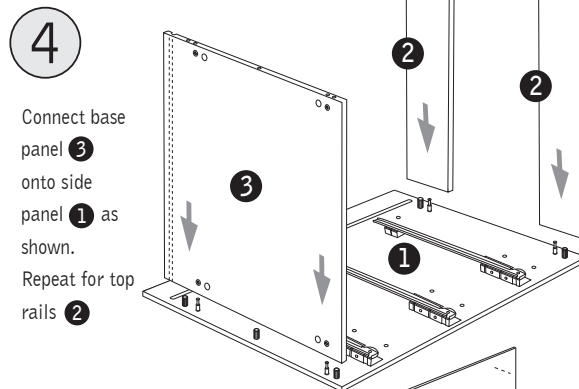
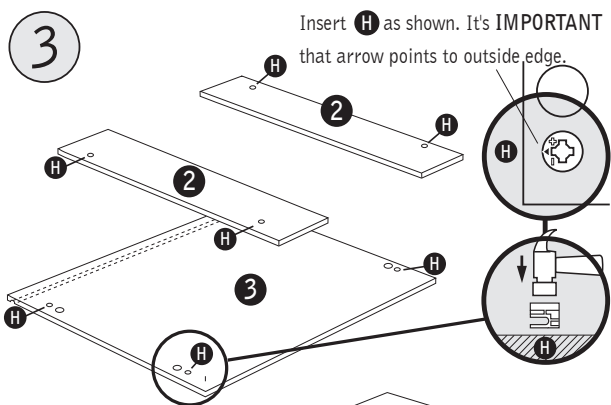
Fit the drawer runners **V** to side panel **1** as shown with the runner wheel facing to front edge of cabinet. Position the runners using pre-marked positions and secure in place using 3 x **B** screws per runner.

Repeat the above using runners **W** on other side panel **1**.

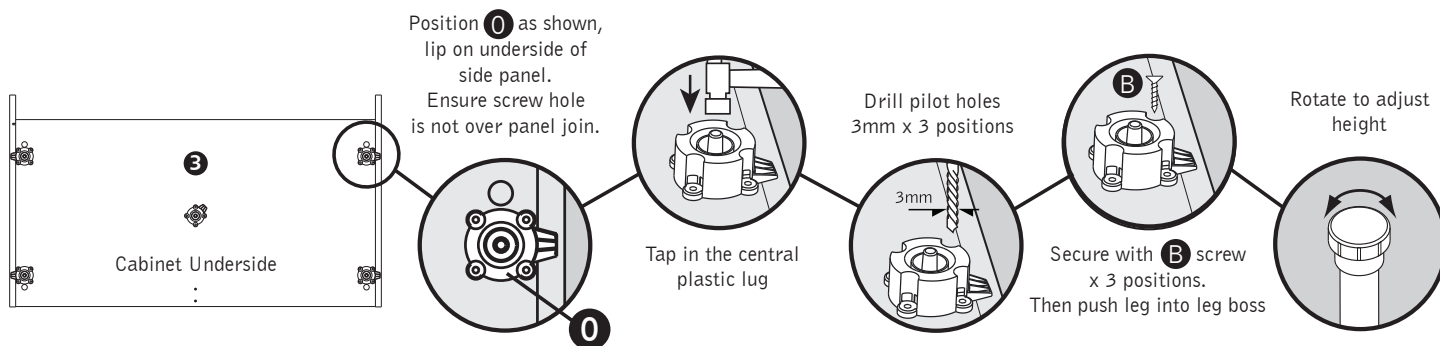
2 Insert **A** and **G** as shown, repeat for opposite side panel.



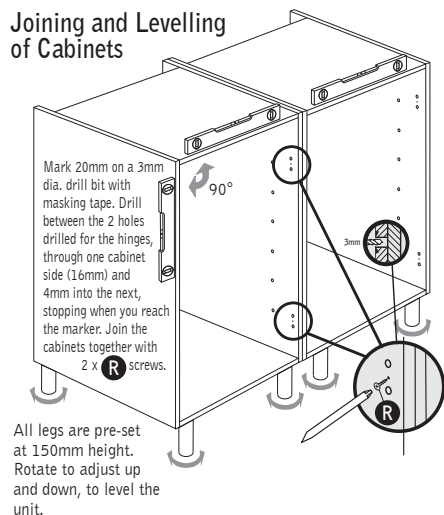
NOTE: The drawer runners are supplied in the separate drawer pack.



Now affix your cabinet legs

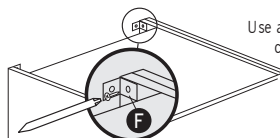


Joining and Levelling of Cabinets



Fitting to wall

Drill 3mm pilot hole. Fix bracket **F** with **B** screw.

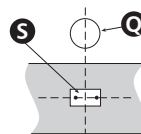


Use appropriate fittings to secure cabinet to wall (depending on wall type).

To fit plinths

Lay plinth panel in front of cabinet. Position plinth clip plate **S** opposite front cabinet legs. Secure with 2 x screws **B**.

Slide **P** into **S**. Stand plinth up.



For construction of drawers and fitting of handles, refer to the separate assembly guide with the drawer system.