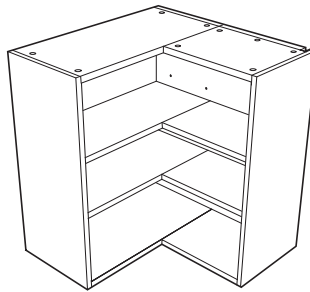
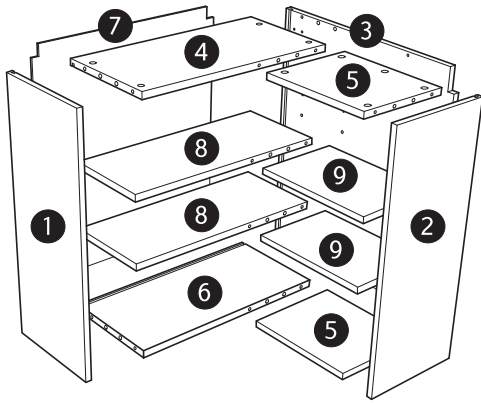


# ASSEMBLY GUIDE



## 625 x 625mm WALL Corner Cabinet

### Panels



- 1 x **1** Left Side Panel
- 1 x **2** Right Side Panel
- 1 x **3** Grooved Side Panel
- 1 x **4** Large Top Panel
- 2 x **5** Small Top/Bottom Panel
- 1 x **6** Large Base Panel
- 1 x **7** Back Panel
- 2 x **8** Large Shelf
- 2 x **9** Small Shelf

### Hardware

- 22 x **A**
- 8 x **B** 15mm
- 2 x **R** 25mm
- 6 x **I** 30mm
- 3 x **J** 40mm
- 22 x **H**
- 20 x **G**
- 12 x **E**

### Wall Fixings

- 3 x **L**
- 3 x **K**

### Hinges (standard doors only)

- 4 x **D**
- 4 x **M**

### Tools Required

- Cross Head Screwdriver
  - Drill & Drill Bits
  - PVA Wood Glue
  - Pliers x 2
  - Hammer
  - Spirit Level
- To construct cabinets & legs 3mm  
To fit handles 4.5mm

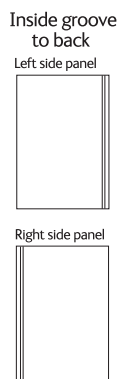
## Before you start . . .

**WARNING:** Installation should be performed by a competent person only. This product could be dangerous if incorrectly installed. Check the pack and make sure all the components are included - if not, call the Manufacturers' Helpline on **01769 575500** and their team will get things sorted. When you are ready to start make sure you have the right tools to hand, plenty of space and a clean dry area for building. Don't rush, read the instructions first and run through the sequence before you begin. Assembly should be done in the stages shown in the following diagrams, constructing **one** unit at a time and keeping fittings together to avoid loss. Lay large panels on the floor using the packaging for protection. Do not over tighten screws.

Cleaning - Use mild soap and water only. Do not use abrasive cleaners.

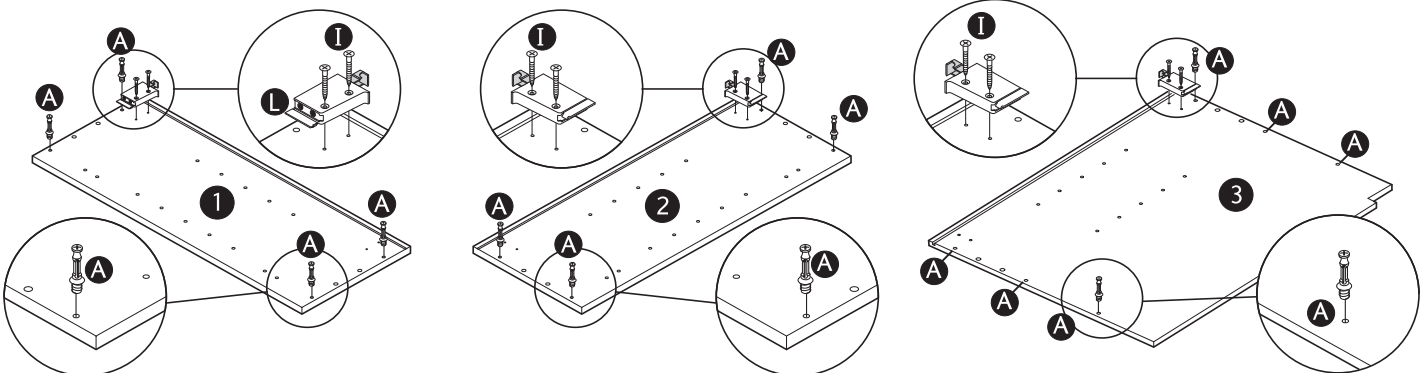
▶ Video assembly guides can be viewed at [www.mycabinetguide.co.uk](http://www.mycabinetguide.co.uk)

Note: If you are using a colour matched end panel and face panel, use these to replace the identically sized panels supplied within this pack.



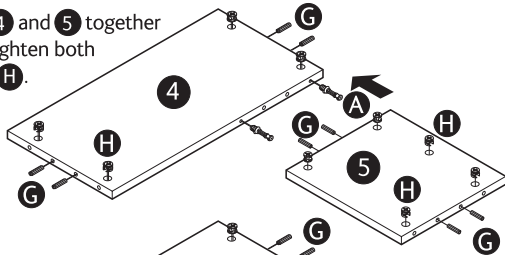
**Note:** Please allow 627mm when planning in a corner to allow for any walls that are not completely square.

- 1** Insert 14 x **A** as shown. The side panels 1 and 2 are identical but must be fitted in the correct positions. Attach 3 x Wall Hanging Brackets **L** as shown using 6 x **I** screws. Note that on the 2 end panels the hanging brackets must be fitted in the pre-marked screw positions, and do not sit flush with the edge of the back panel groove.

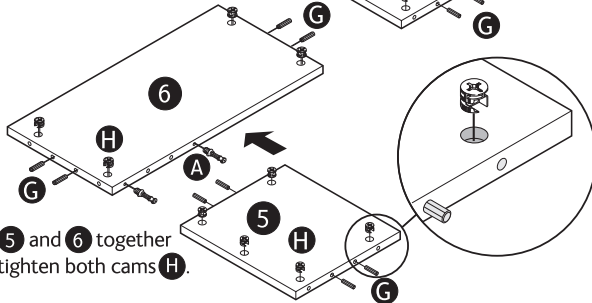


**2** Insert 8 x **A** and 20 x **G** as shown. Apply a small droplet of glue to the hole before inserting 20 x dowels **G**. Fit 22 x **H**. It is important that the arrow points to the outside edge.

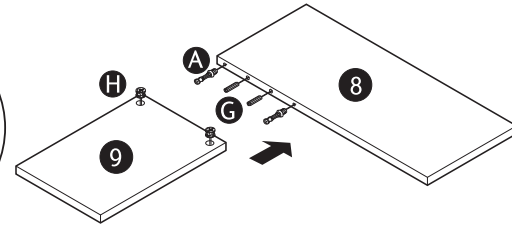
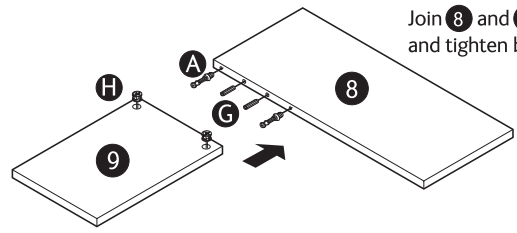
Join **4** and **5** together and tighten both cams **H**.



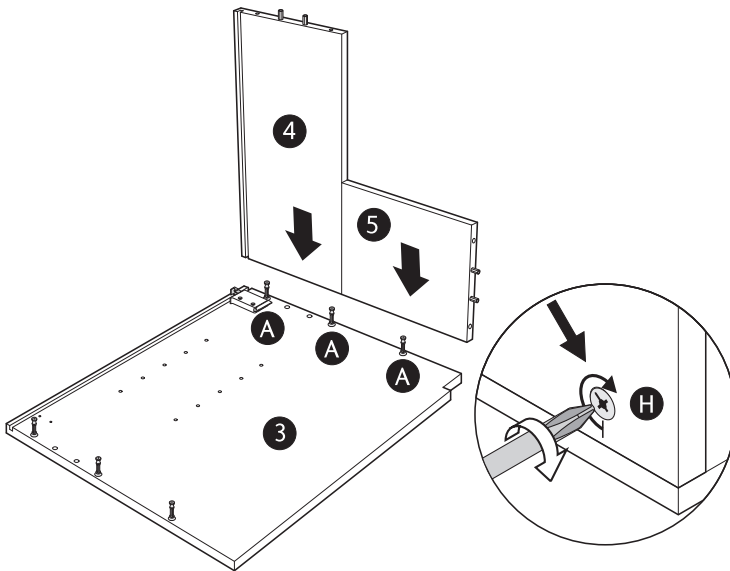
Join **5** and **6** together and tighten both cams **H**.



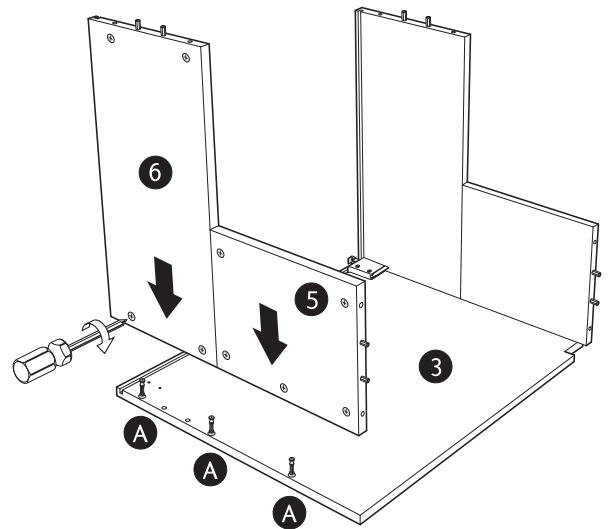
Join **8** and **9** together and tighten both cams **H**.



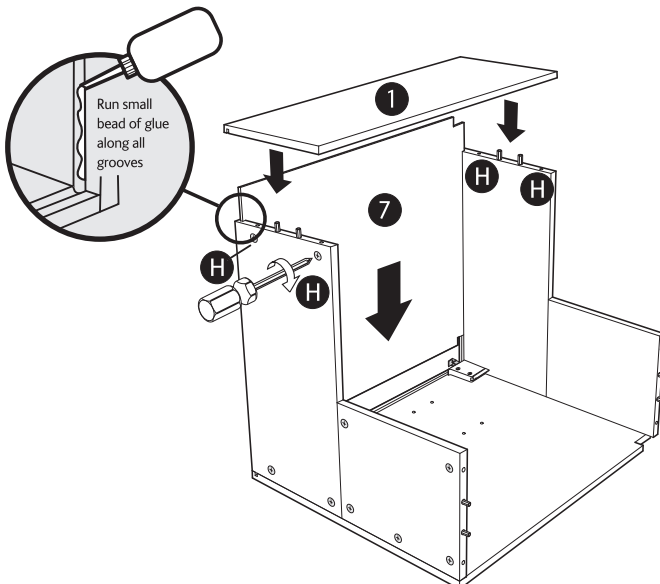
**3** Connect the Large Top Panel **4** and the Small Top Panel **5** to the rear End Panel **3**. Tighten the 3 cams **H** clockwise to pins **A** as shown.



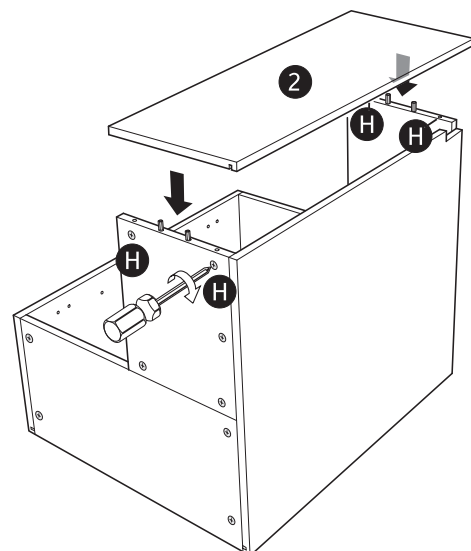
**4** Connect the Large Bottom Panel **6** and the Small Top Panel **5** to the Rear End Panel **3**. Tighten the 3 cams **H** clockwise to pins **A** as shown.



**5** Slide Back Panel **7** into the grooves and fit Left Side Panel **1**. Tighten the 4 cams **H** clockwise as shown.



**6** Fit Right Side Panel **2**. Tighten the 4 cams **H** clockwise as shown.



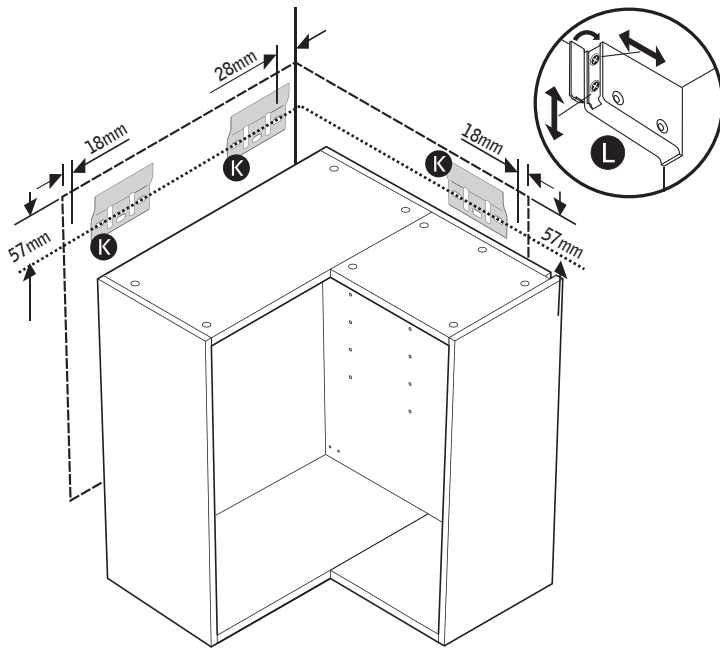
## FIXING TO WALL

Position and secure 3 x Hanging Brackets **K** to the wall with suitable fixings.

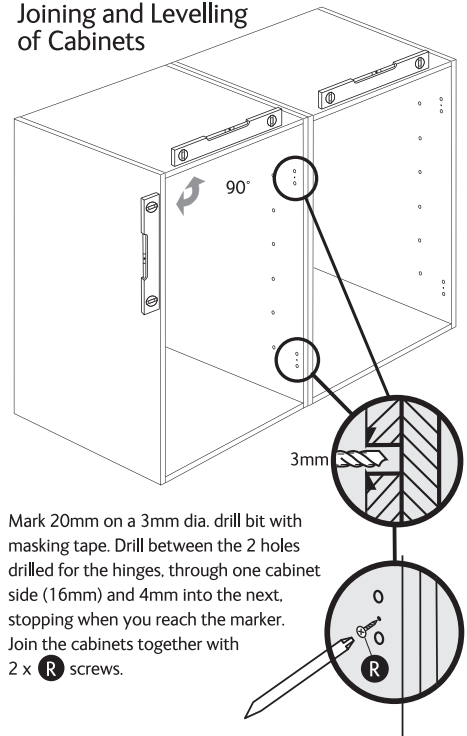
**WARNING:** This unit could be dangerous if fitted incorrectly to the wall.

Fixings are not supplied with the pack as the type required will vary with the wall type. If in doubt, ask an expert.

Hang the unit onto the Hanging Brackets **K** Wall Hanging Brackets **L** to level.



## Joining and Levelling of Cabinets



Mark 20mm on a 3mm dia. drill bit with masking tape. Drill between the 2 holes drilled for the hinges, through one cabinet side (16mm) and 4mm into the next, stopping when you reach the marker. Join the cabinets together with 2 x **R** screws.

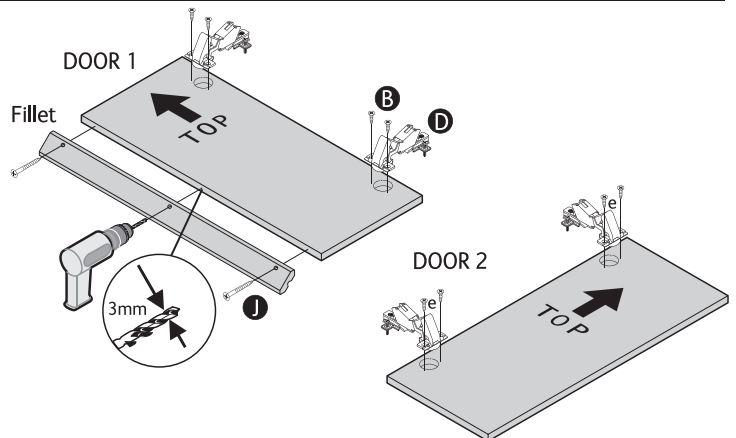
## DOOR HINGES (standard doors only)

If you have chosen framed doors, refer to the instructions supplied in the separate hinge pack for frame fixing and fitting of hinges.

The doors and fillet are supplied separately. The fillet must be fitted to the opposite door to the handle or knob. Drill carefully into the edge of the door and fix the fillet with 3 x **J** screws.

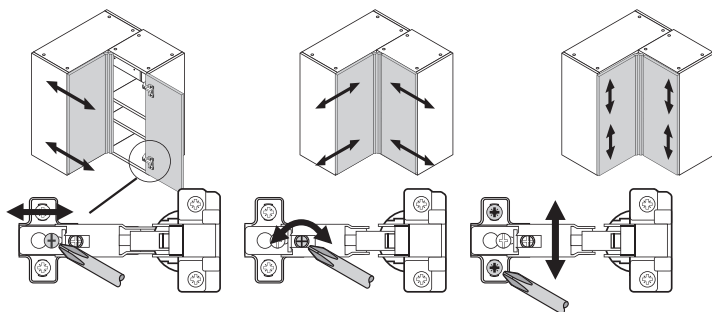
Separate hinge from hinge plate if supplied attached.

Insert the door hinges into the recesses in the back of the door and fix with 8 x **B** screws.



## Door Hinge Adjustment (standard doors only)

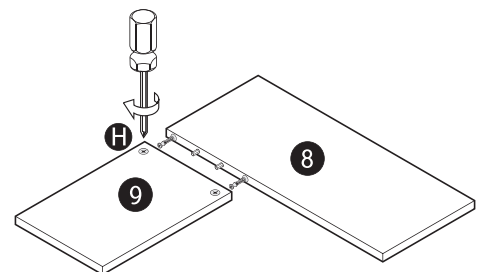
If you have chosen framed doors, refer to the instructions supplied in the separate hinge pack for the adjustment of hinges.



Turn screw as shown to adjust the door position.

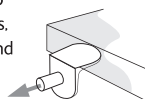
## Shelf Assembly

Fit the Large Shelf **8** and the Small Shelf **9** together and tighten the cams.



## To fit shelves

Push shelf support **E** into chosen shelf position holes. 6 supports per shelf. Tilt and slide in shelf.



## To fit door handles

Position your choice of handle (available separately) using the drilling guide available in stores. For standard doors, do not fit a knob or handle to the left hand door.

