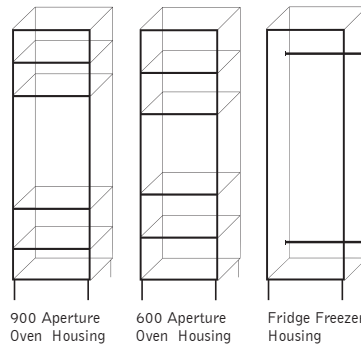


ASSEMBLY GUIDE



600mm WIDE
TALL
Oven/Fridge
Freezer Housing

Panels	Hardware	Tools required
<ul style="list-style-type: none"> 1 x 1 Top Panel 1 x 2 Base Panel 2 x 3 Fixed Shelf 2 x 4 Shelf Support Rails 2 x 5 Adjustable Shelves 2 x 6 End Panels 2 x 7 Back Panels <p>Note: End panels and back panels are purchased separately from this shelf pack</p>	<ul style="list-style-type: none"> 16 x A 32 x B 2 x R 6 x D 2 x X 8 x E 12 x G 16 x H 2 x F <p>Hinges (standard doors only)</p> <ul style="list-style-type: none"> 4 x I 4 x M 4 x N <p>Legs</p> <ul style="list-style-type: none"> 4 x O 4 x Q 2 x P 2 x S 	<ul style="list-style-type: none"> Cross Head Screwdriver Drill & Drill Bits PVA Wood Glue Pliers x 2 Hammer Spirit Level <p>To construct cabinets & legs 3mm To fit handles 4.5mm</p>

Before you start . . .

WARNING: Installation should be performed by a competent person only. This product could be dangerous if incorrectly installed. Check the pack and make sure all the components are included - if not, call the Manufacturers' Helpline on **01769 575500** and their team will get things sorted. When you are ready to start make sure you have the right tools to hand, plenty of space and a clean dry area for building. Don't rush, read the instructions first and run through the sequence before you begin. Assembly should be done in the stages shown in the following diagrams, constructing one unit at a time and keeping fittings together to avoid loss. Lay large panels on the floor using the packaging for protection. Do not over tighten screws.

This guide provides details for creating a 600 and 900mm aperture, for oven fixing only, for other appliance combinations, you should refer to your kitchen designer.

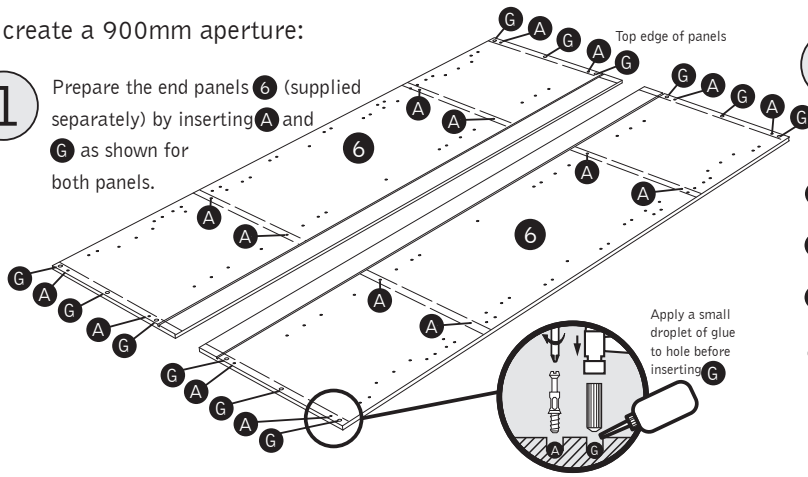
Cleaning - Use mild soap and water only. Do not use abrasive cleaners.

To protect your kitchen doors from any excess heat emitted by your oven, it is strongly recommended that an appropriate Oven Heat Deflector Kit is fitted around the oven aperture in this unit. Suitable kits are available from B&Q and details can be found in the kitchen price list.

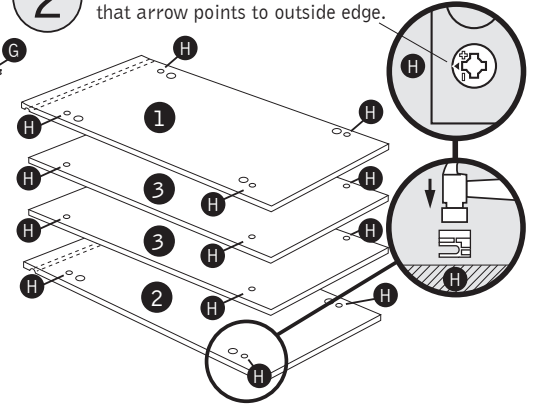
Video assembly guides can be viewed at www.mycabinetguide.co.uk

To create a 900mm aperture:

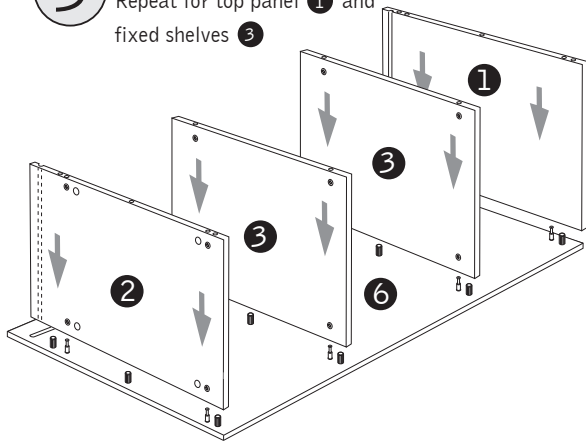
- 1** Prepare the end panels **6** (supplied separately) by inserting **A** and **G** as shown for both panels.



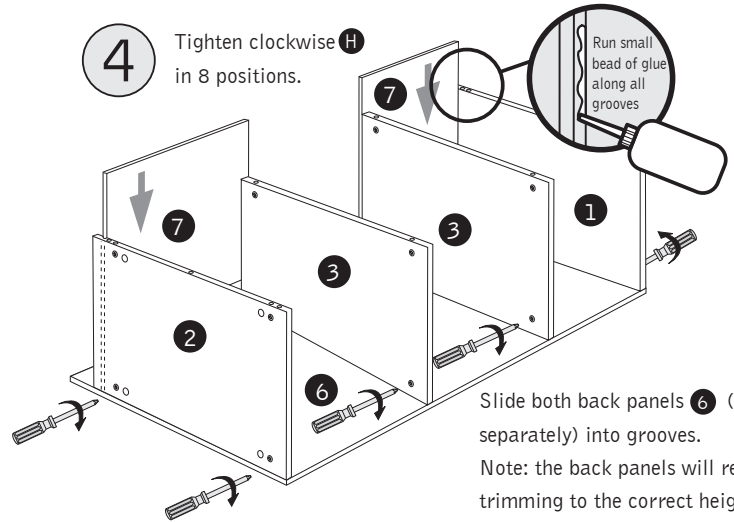
- 2** Insert **H** as shown (16 positions). It's IMPORTANT that arrow points to outside edge.



- 3** Connect base panel **2** onto end panel **6** as shown. Repeat for top panel **1** and fixed shelves **3**.

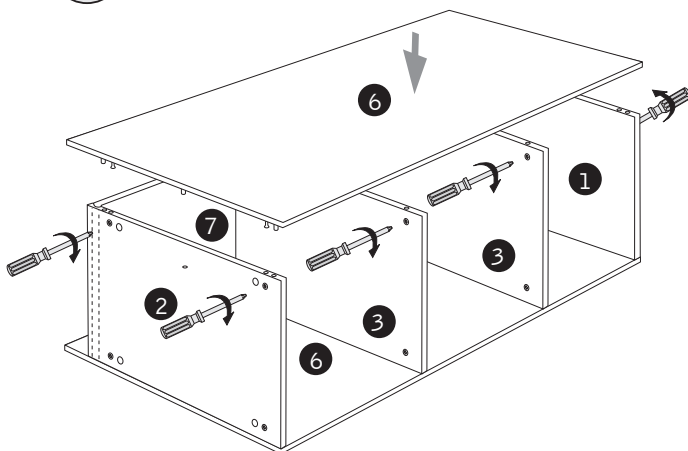


- 4** Tighten clockwise **H** in 8 positions.

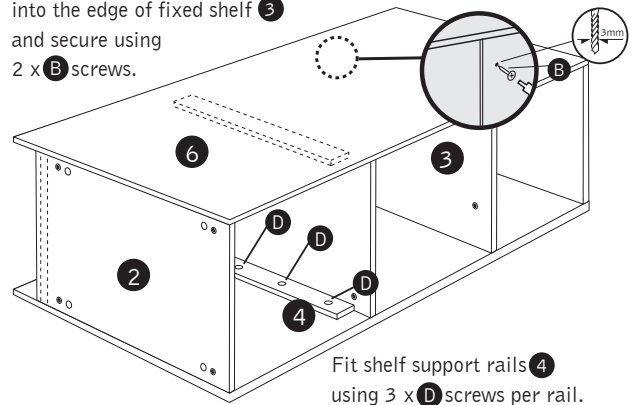


Slide both back panels **6** (supplied separately) into grooves.
Note: the back panels will require trimming to the correct height behind the fixed shelves. Ensure clear opening behind the oven section in the centre.

- 5** Connect the second end panel **6** as shown, tighten clockwise **H** in 8 positions.



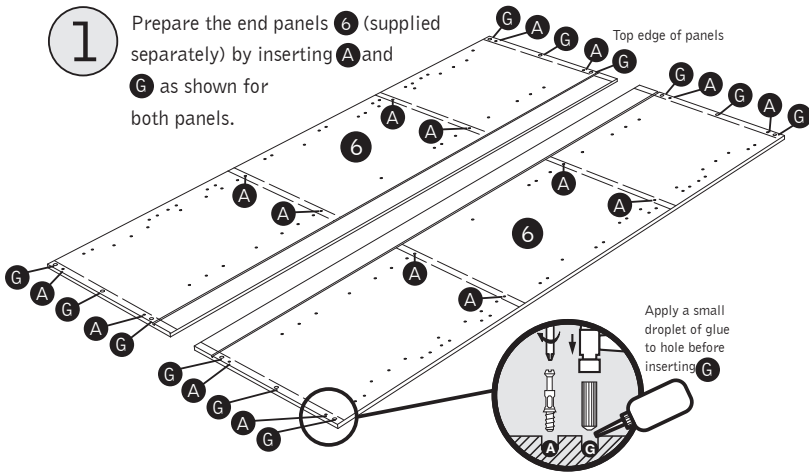
- 6** On back of cabinet, carefully drill through panel **7** into the edge of fixed shelf **3** and secure using 2 x **B** screws.



Now affix your cabinet legs

To create a 600mm aperture:

- 1 Prepare the end panels 6 (supplied separately) by inserting A and G as shown for both panels.

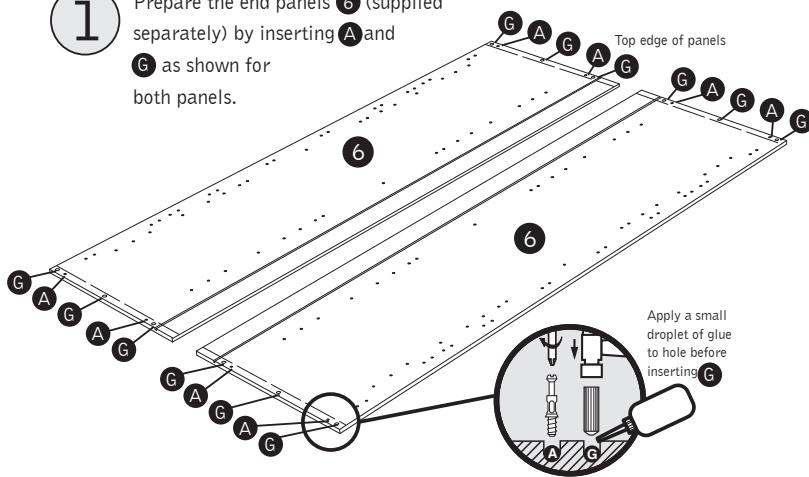


Now follow Steps 2 to 6 above, as for the 900mm high oven housing.

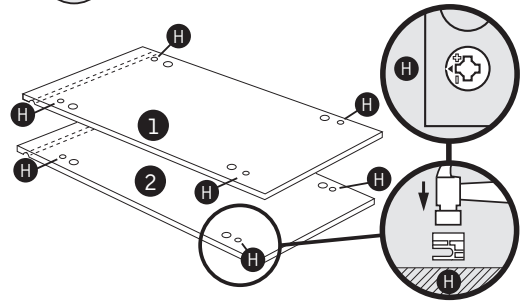
Note: that the position of the fixed shelves and so the points at which you cut the back panels will differ from the illustrations for the 900 housing, otherwise the construction sequence is the same.

To build a 50/50 or a 60/40 tall fridge freezer housing:

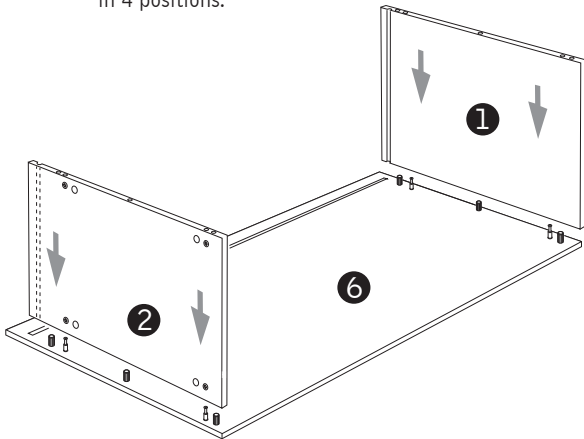
- 1 Prepare the end panels 6 (supplied separately) by inserting A and G as shown for both panels.



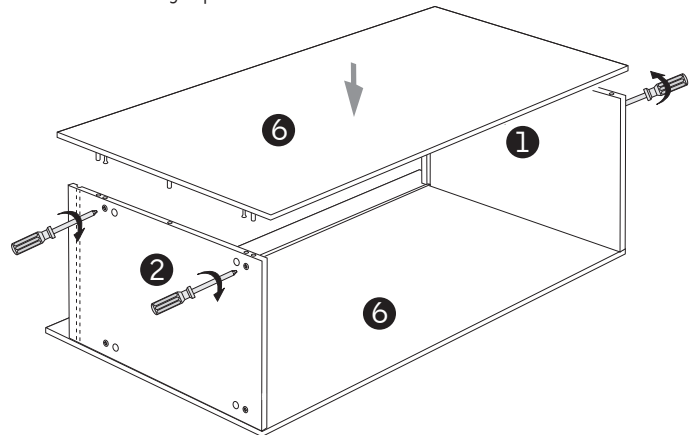
- 2 Insert H as shown (8 positions). It's IMPORTANT that arrow points to outside edge.



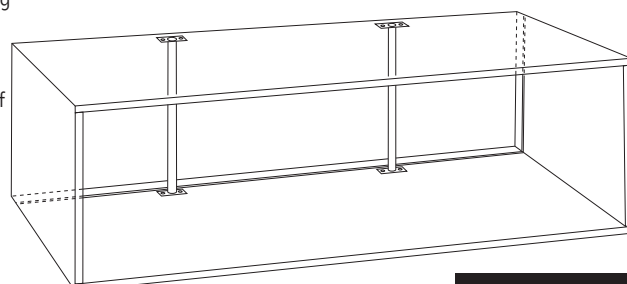
- 3 Connect base panel 2 and top panel 1 onto end panel 6. Tighten H clockwise in 4 positions.



- 4 Connect end panel 6 as shown. Tighten H clockwise in remaining 4 positions.

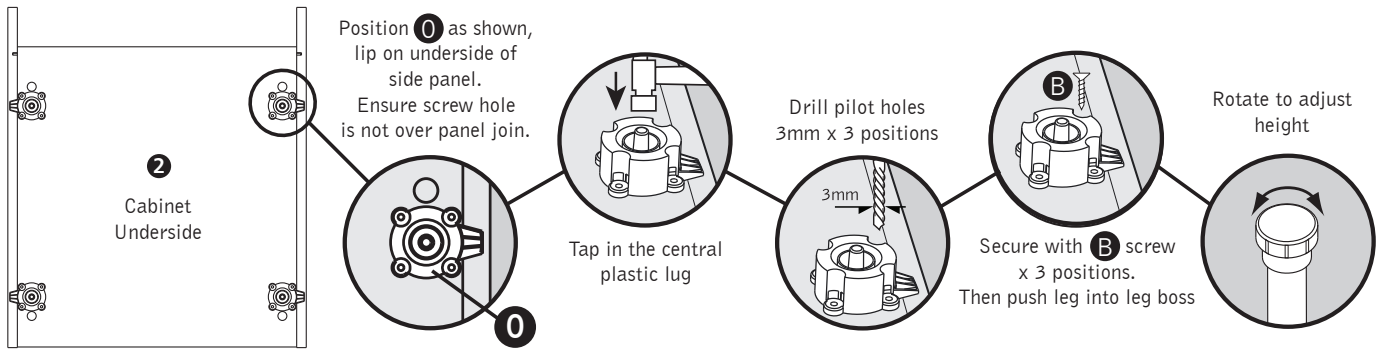


- 5 Prior to standing unit upright, fit metal bracing bars X using 4 x B screws per bracing bar to rear of cabinet. Ensure these bracing bars are fitted at positions that are clear of back of the fridge appliance.

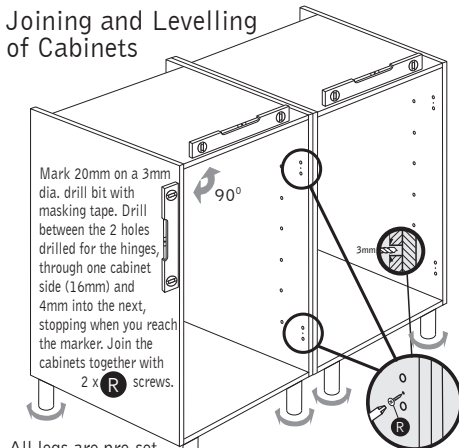


Now affix your cabinet legs

Fitting the Legs



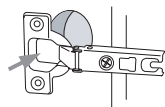
Joining and Levelling of Cabinets



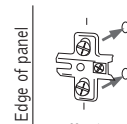
All legs are pre-set at 150mm height. Rotate to adjust up and down, to level the unit.

Door hinges (standard doors only)

Separate hinge from hinge plate if supplied attached. If you have chosen framed doors, refer to the instructions supplied in the separate hinge pack for frame fixing, fitting and adjustment of hinges.

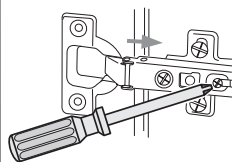


Insert door hinge **I** into recess in door and affix using 2x **B** screws.

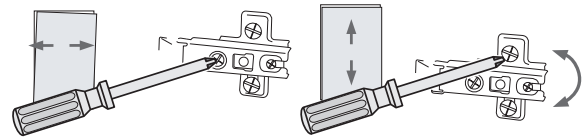


Affix hinge plate **M** to cabinet using pre-drilled holes with pre-mounted screws.

Connect door hinge to cabinet and tighten screw shown.



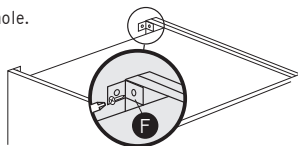
Turn screw as shown, to adjust the door position



After adjustment is complete apply cover plate **N**

Fitting to wall

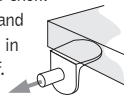
Drill 3mm pilot hole. Fix bracket **F** with **B** screw.



Use appropriate fittings to secure cabinet to wall (depending on wall type).

To fit shelves

Push shelf support **E** into chosen shelf position holes, 4 per shelf. Tilt and slide in shelf.

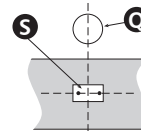


To fit plinths

Lay plinth panel in front of cabinet. Position plinth clip plate **S** opposite front cabinet legs. Secure with 2 x screws **B**.

Slide **P** into **S**.

Stand plinth up.



To fit door handles

Position your choice of handle (available separately) using the drilling guide available in stores.

Notes