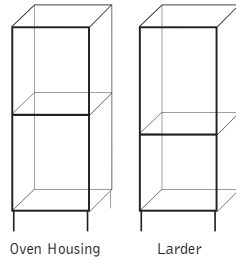


# ASSEMBLY GUIDE



600mm WIDE

## MID HEIGHT Oven/Larder Cabinet

Panels	Hardware	Tools required
<ul style="list-style-type: none"> <li>1 x <b>1</b> Top Panel</li> <li>1 x <b>2</b> Base Panel</li> <li>1 x <b>3</b> Fixed Shelf</li> <li>2 x <b>4</b> Shelf Support Rails</li> <li>2 x <b>5</b> End Panels</li> <li>1 x <b>6</b> Back Panel</li> </ul> <p>Note: End panels and back panel are purchased separately from this shelf pack</p>	<ul style="list-style-type: none"> <li>12 x <b>A</b> </li> <li>36 x <b>B</b> </li> <li>2 x <b>R</b> </li> <li>6 x <b>D</b> </li> </ul> <p><b>Hinges (standard doors only)</b></p> <ul style="list-style-type: none"> <li>4 x <b>I</b> </li> </ul> <p><b>Legs</b></p> <ul style="list-style-type: none"> <li>4 x <b>O</b> </li> <li>4 x <b>Q</b> </li> </ul>	<ul style="list-style-type: none"> <li>2 x <b>Z</b> </li> <li>18 x <b>G</b> </li> <li>12 x <b>H</b> </li> <li>4 x <b>F</b> </li> <li>4 x <b>M</b> </li> <li>4 x <b>N</b> </li> <li>2 x <b>P</b> </li> <li>2 x <b>S</b> </li> </ul> <p><b>Tools required</b></p> <ul style="list-style-type: none"> <li>Cross Head Screwdriver </li> <li>Drill &amp; Drill Bits </li> <li>PVA Wood Glue </li> <li>Pliers x 2 </li> <li>Hammer </li> <li>Spirit Level </li> </ul>

## Before you start . . .

**WARNING:** Installation should be performed by a competent person only. This product could be dangerous if incorrectly installed. Check the pack and make sure all the components are included - if not, call the Manufacturers' Helpline on **01769 575500** and their team will get things sorted. When you are ready to start make sure you have the right tools to hand, plenty of space and a clean dry area for building. Don't rush, read the instructions first and run through the sequence before you begin. Assembly should be done in the stages shown in the following diagrams, constructing one unit at a time and keeping fittings together to avoid loss. Lay large panels on the floor using the packaging for protection. Do not over tighten screws.

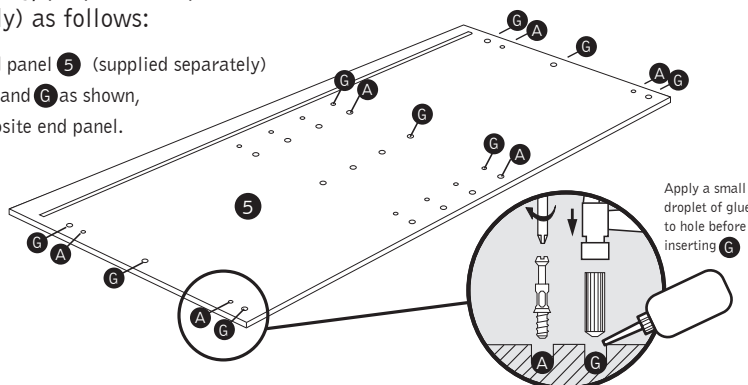
**Cleaning** - Use mild soap and water only. Do not use abrasive cleaners.

Video assembly guides can be viewed at [www.mycabinetguide.co.uk](http://www.mycabinetguide.co.uk)

To protect your kitchen doors from any excess heat emitted by your oven, it is strongly recommended that an appropriate Oven Heat Deflector Kit is fitted around the oven aperture in this unit. Suitable kits are available from B&Q and details can be found in the kitchen price list.

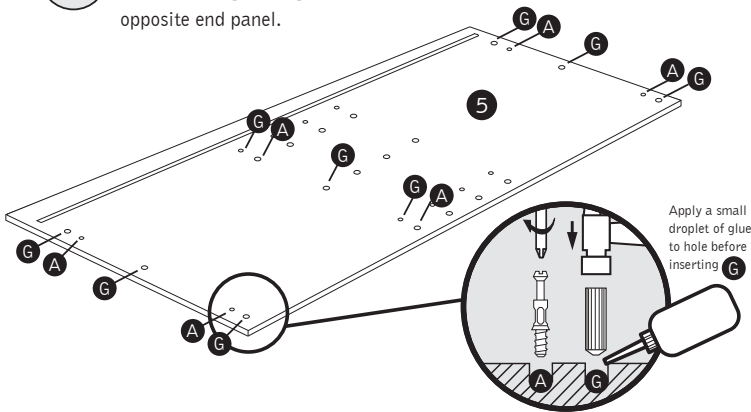
To build oven housing, prepare end panels (supplied separately) as follows:

- 1** Prepare an end panel **5** (supplied separately) by inserting **A** and **G** as shown, repeat for opposite end panel.

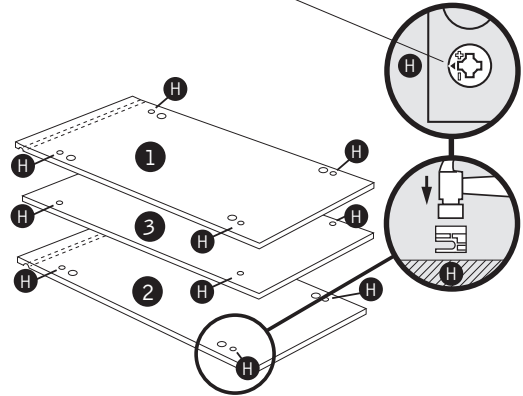


To build larder, prepare end panels (supplied separately) as follows:

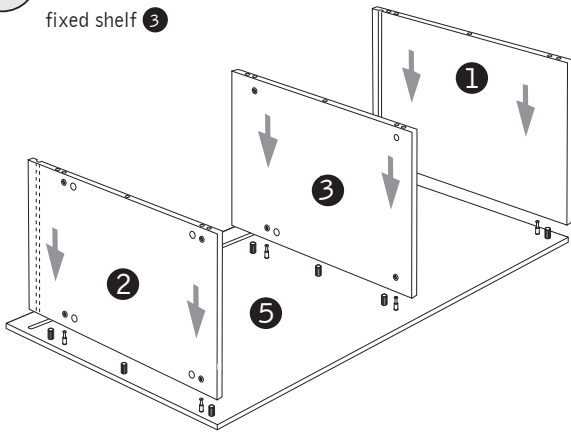
- 1** Prepare an end panel **5** (supplied separately) by inserting **A** and **G**, repeat for opposite end panel.



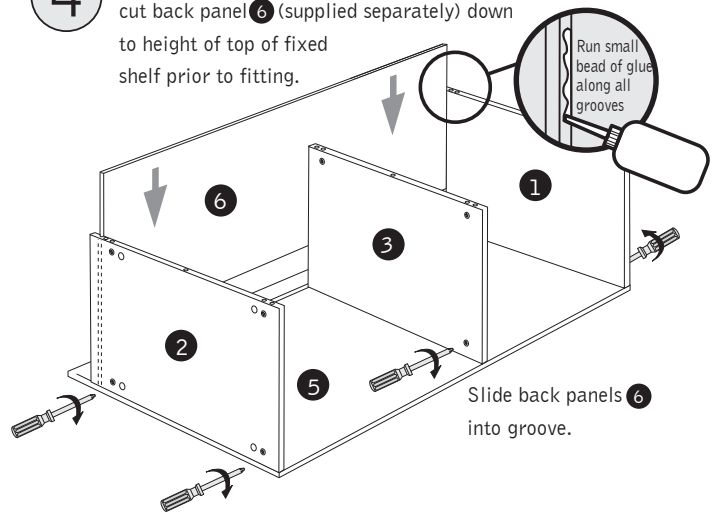
- 2** Insert **H** as shown (12 positions). It's IMPORTANT that arrow points to outside edge.



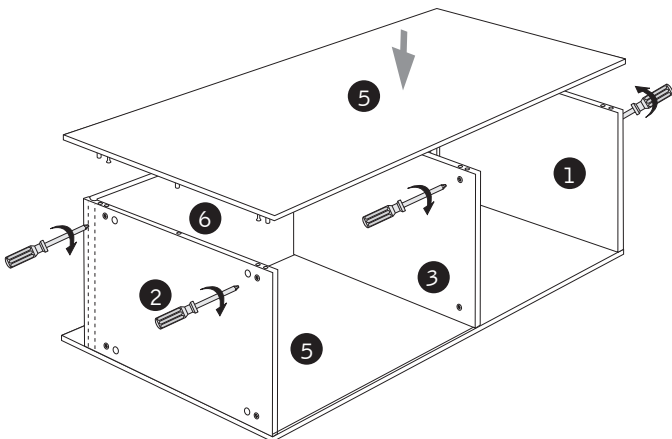
- 3** Connect base panel **2** onto end panel **5** as shown. Repeat for top panel **1** and fixed shelf **3**.



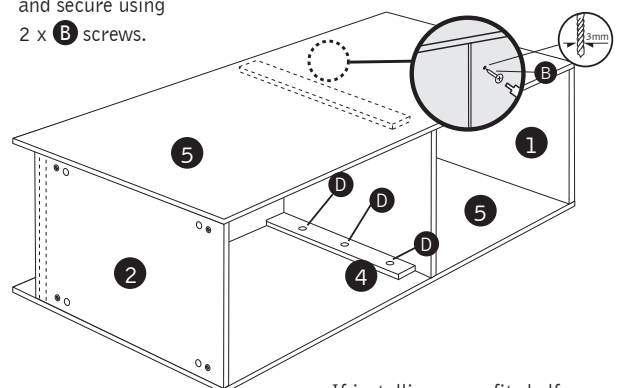
- 4** Tighten clockwise **H** in 6 positions. If fitting over, cut back panel **6** (supplied separately) down to height of top of fixed shelf prior to fitting.



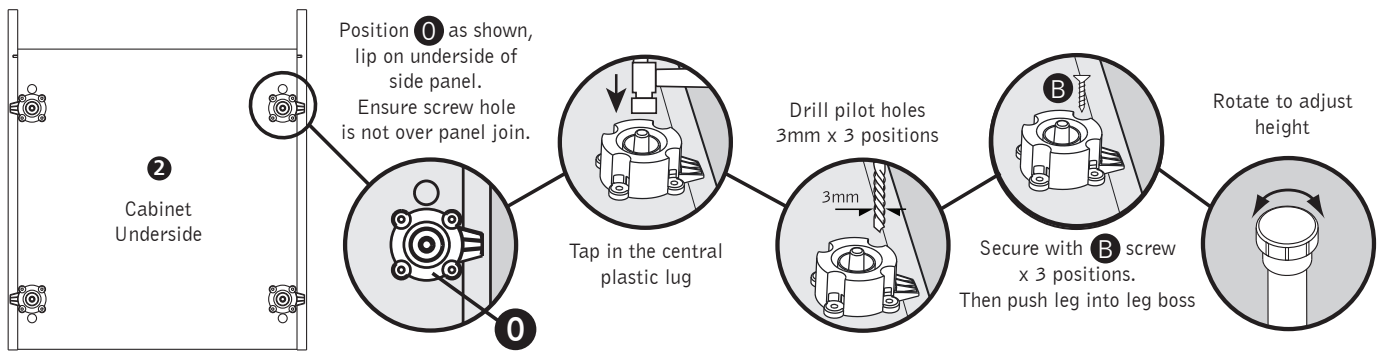
- 5** Connect the second end panel **5** as shown, tighten clockwise **H** in 6 positions.



- 6** On back of cabinet, carefully drill through back panel **6** into the edge of fixed shelf **3** and secure using 2 x **B** screws.



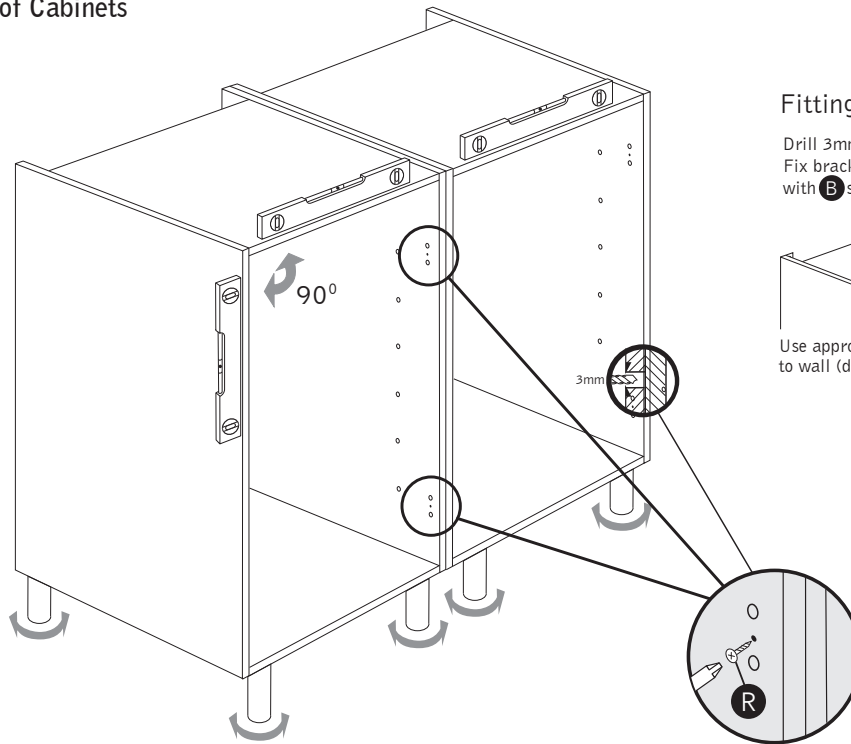
If installing oven, fit shelf support rails **4** directly under shelf using 3 x **D** screws per rail.



## Joining and Levelling of Cabinets

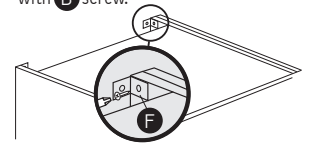
Mark 20mm on a 3mm dia. drill bit with masking tape. Drill between the 2 holes drilled for the hinges, through one cabinet side (16mm) and 4mm into the next, stopping when you reach the marker. Join the cabinets together with 2 x **R** screws.

All legs are pre-set at 150mm height. Rotate to adjust up and down, to level the unit.



### Fitting to wall

Drill 3mm pilot hole. Fix bracket **F** with **B** screw.

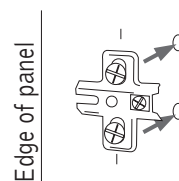
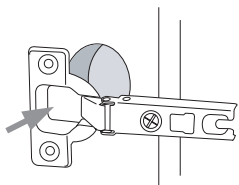


Use appropriate fittings to secure cabinet to wall (depending on wall type).

## Door hinges (standard doors only)

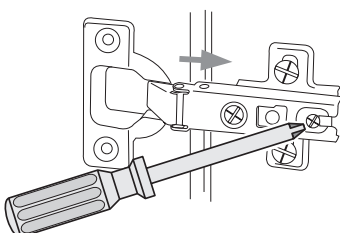
If you have chosen framed doors, refer to the instructions supplied in the separate hinge pack for frame fixing, fitting and adjustment of hinges.

Separate hinge from hinge plate if supplied attached.

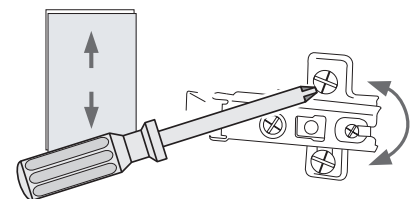
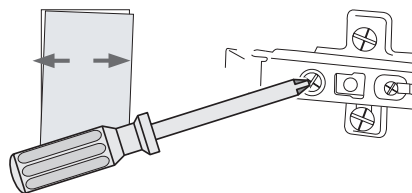


Affix hinge plate **M** to cabinet using pre-drilled holes with pre-mounted screws.

Connect door hinge to cabinet and tighten screw shown.



Turn screw as shown, to adjust the door position



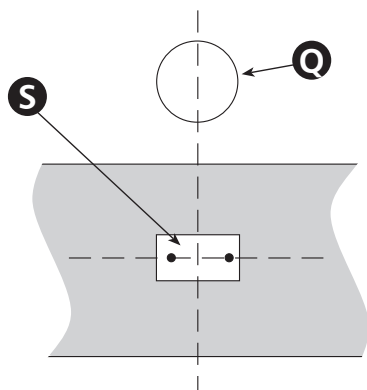
After adjustment is complete apply cover plate **N**

## To fit plinths

Lay plinth panel in front of cabinet.  
Position plinth clip plate **S** opposite  
front cabinet legs. Secure with 2 x  
screws **B**.

Slide **P** into **S**.

Stand plinth up.

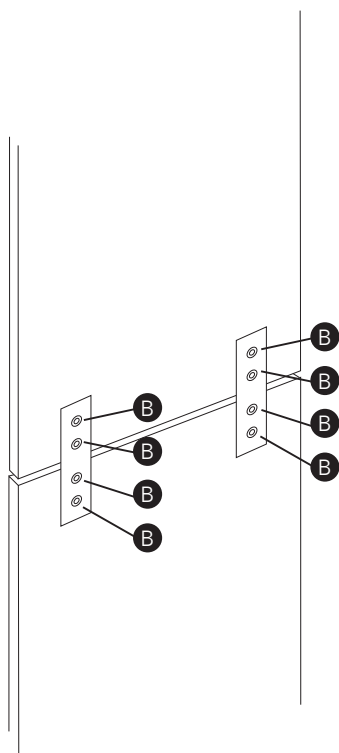


## To fit door handles

Position your choice of handle  
(available separately) using the  
drilling guide available in stores.

## Fixing top and bottom doors together

If you need to secure both top and bottom  
doors to open together, fix metal door  
joining straps **Z** to rear of doors using  
4 x **B** screws per metal plate



## Notes