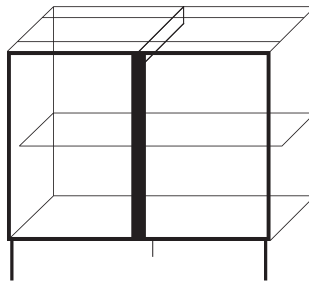
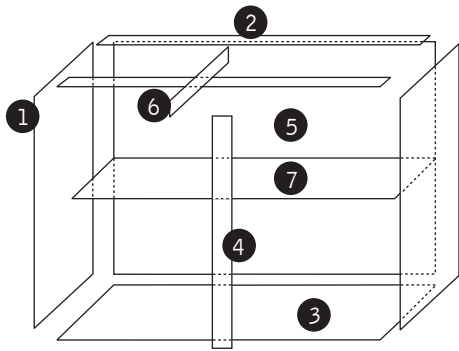


ASSEMBLY GUIDE



800mm WIDE
BASE
Cabinet
(also suitable for comers)

Panels



- 2 x **1** Side Panels
- 2 x **2** Top Rails
- 1 x **3** Base Panel
- 1 x **4** Central Post
- 1 x **5** Back Panel
- 1 x **6** Drawer Support Rail
- 1 x **7** Adjustable Shelf

Hardware

- 9 x **A**
- 9 x **H**
- 31 x **B** 15mm
- 2 x **R** 25mm
- 2 x **D** 30mm
- 6 x **C** 40mm
- 11 x **G**
- 5 x **E**
- 4 x **F**

Hinges (standard doors only)

- 4 x **I**
- 4 x **M**
- 4 x **N**

Legs

- 5 x **O**
- 5 x **Q**
- 2 x **P**
- 2 x **S**

Tools Required

- Cross Head Screwdriver
- Drill & Drill Bits
- PVA Wood Glue
- Pliers x 2
- Hand Saw
- Hammer
- Spirit Level

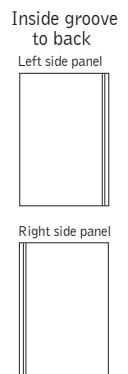
Before you start . . .

WARNING: Installation should be performed by a competent person only. This product could be dangerous if incorrectly installed. Check the pack and make sure all the components are included - if not, call the Manufacturers' Helpline on **01769 575500** and their team will get things sorted. When you are ready to start make sure you have the right tools to hand, plenty of space and a clean dry area for building. Don't rush, read the instructions first and run through the sequence before you begin. Assembly should be done in the stages shown in the following diagrams, constructing **one** unit at a time and keeping fittings together to avoid loss. Lay large panels on the floor using the packaging for protection. Do not over tighten screws.

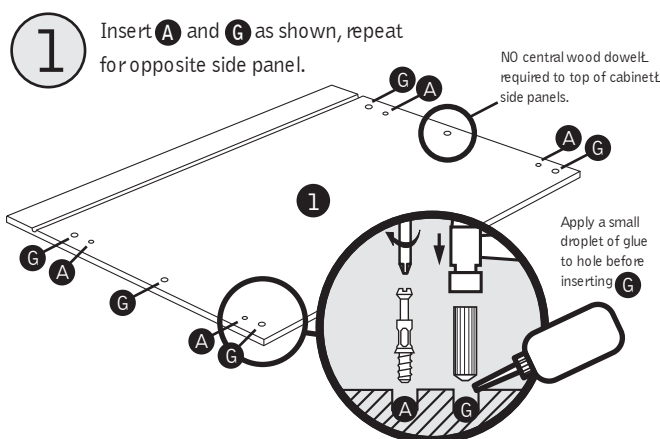
Cleaning - Use mild soap and water only. Do not use abrasive cleaners.

Video assembly guides can be viewed at www.mycabinetguide.co.uk

Note: If you are using a colour matched end panel and face panel, use these to replace the identically sized panels supplied within this pack.



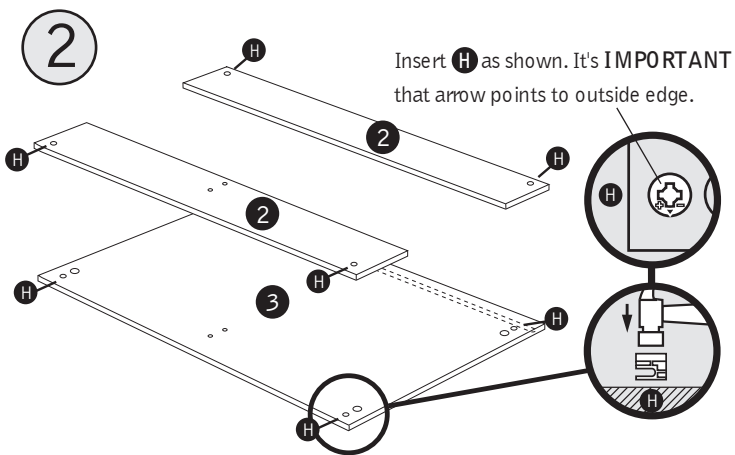
Note:
In order for this 800mm Base Cabinet to function as a comer unit, you must position the end of this Base Corner Cabinet 227mm away from the adjacent wall surface.



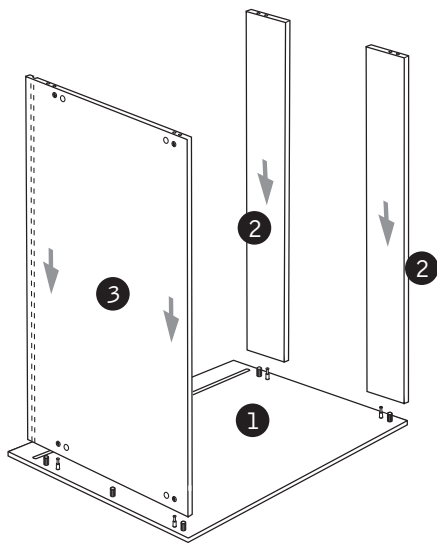
Please note at this point if you are building a drawer line unit it is advisable to fit the drawer runners at this stage.

If fitting the standard drawer boxes please use the pre marked positions on the cabinet.

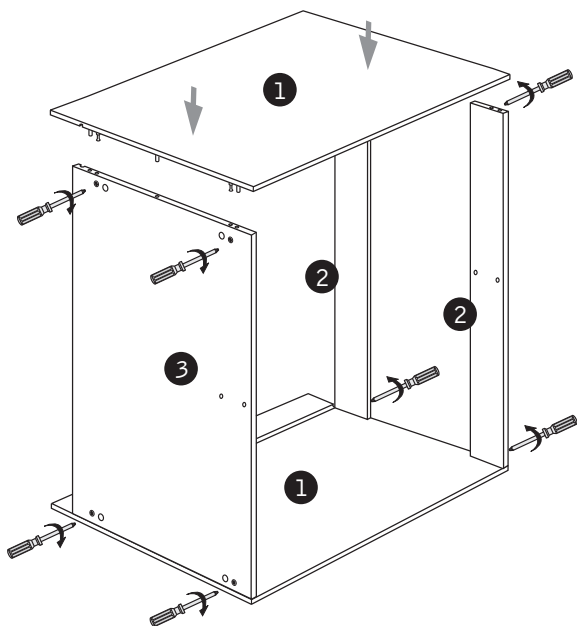
If you have chosen upgraded drawer boxes or framed doors, refer to the instructions supplied with the drawer box



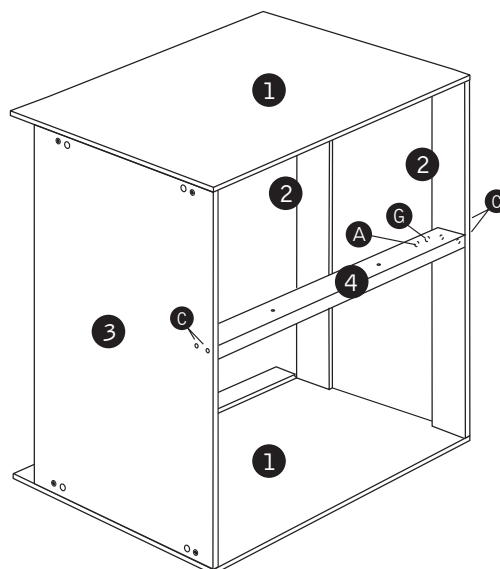
3 Connect base panel **3** onto side panel **1** as shown. Repeat for top panels **2**.



4 Connect side panel **1** as shown. Tighten clockwise **H** in 8 positions.



5 Fit central post **4** and secure with 4 x **C** screws. If fitting the drawer support rail to this unit, ensure that the holes in the rear face of central post are at top of unit. Fix 1 x **A** and 1 x **G** to these holes.



Using as a sink base

If you intend to use this 800 base cabinet as a sink base, it is important to reduce the height of the back panel and position the back rail away from the sink bowl and service pipework. This Kitchen Collection base unit has a generous 76mm service void, behind its back panel to accommodate all types of service pipework.

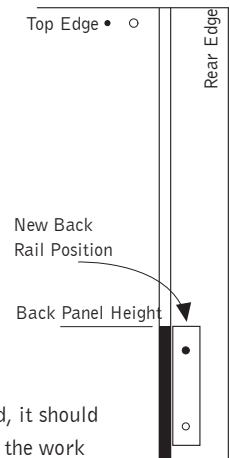
1. Assemble your base unit as described in steps **1** - **8** but with the back rail fitted in the alternative position as shown in the illustration for step **8**. Use fixings provided.

2. Slide the back panel into position and move the assembled cabinet into place. Mark the height of pipework onto the back panel and then remove the back panel for trimming to allow free pipe access.

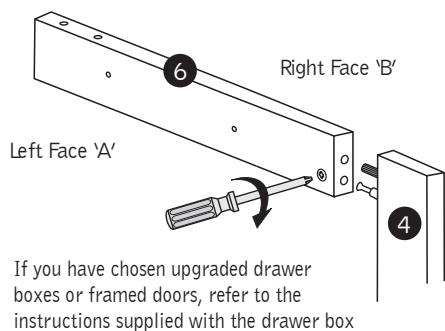
Reinsert the back panel into the cabinet, as shown in the diagram (to the right)

3. The sink must be installed using the manufacturer's instructions. This may necessitate having to cut away some of the cabinet front rail.

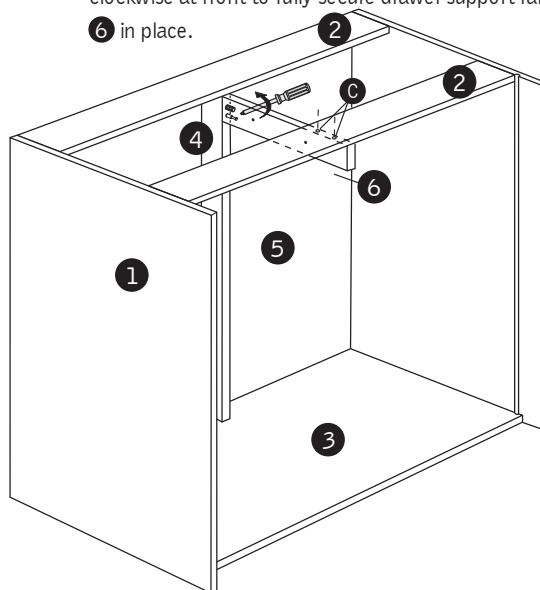
4. In this instance, if the drawer support rail is required, it should be secured to the underside of the work surface, using suitable fixings (not supplied), at the rear of the unit.



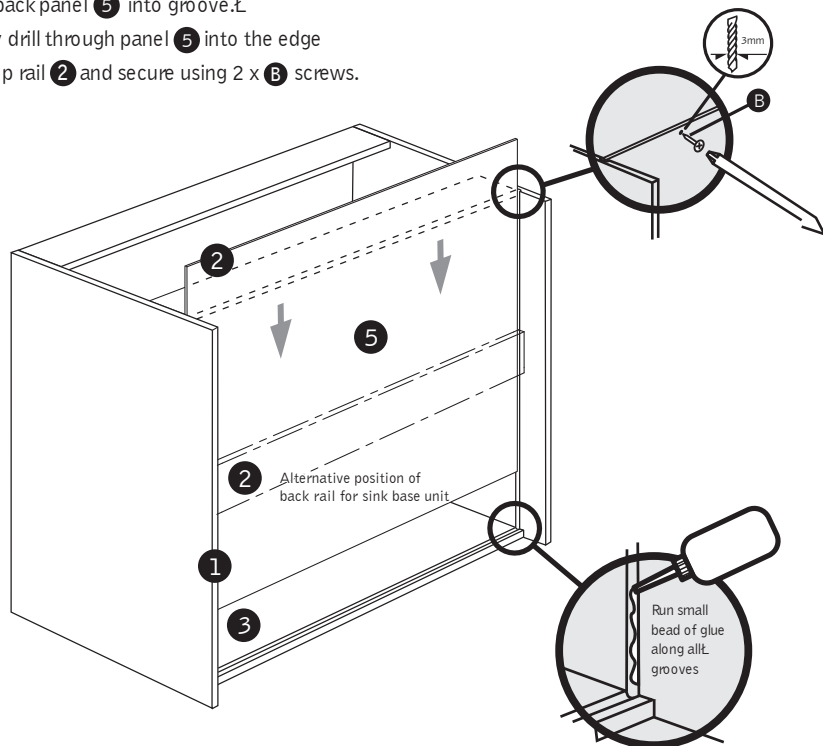
- 6 Depending upon desired drawer configuration, fit drawer runner **S**, supplied in 400 drawer system to face A / B.



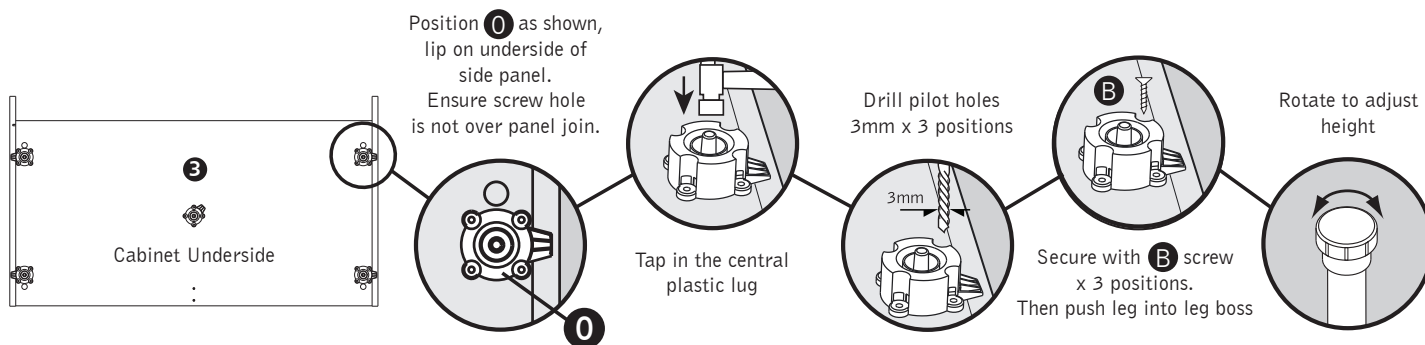
- 7 Connect drawer support rail **6** onto central post **4**. Fix back of item **6** with 2 x screws **C**, tighten **H** clockwise at front to fully secure drawer support rail **6** in place.



- 8 Slide in back panel **5** into groove. Carefully drill through panel **5** into the edge of the top rail **2** and secure using 2 x **B** screws.



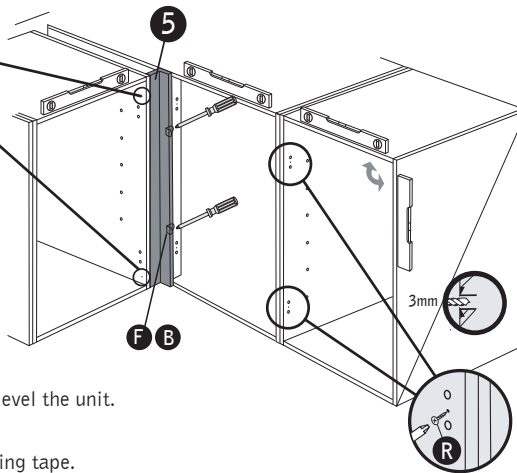
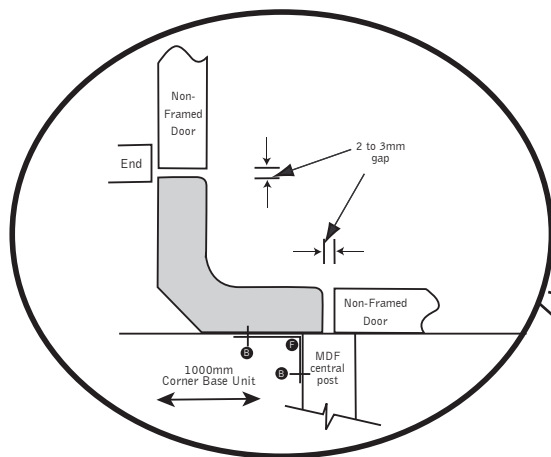
Now affix your cabinet legs



Joining and Levelling of Cabinets

Fit profiled base corner post (available separately) to face of base corner cabinet, it is important to position the edge of the profiled post approximately 2-3mm away from the edge of the standard door you are fitting to the central post on the cabinet. Fix using 2 x metal brackets **F** and 4 x screws **B** to the rear inside faces of both post sections.

For framed doors, the frame should fit directly against the corner post.



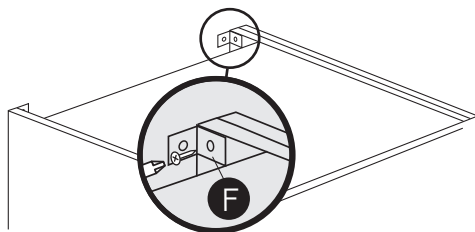
To join an adjacent base unit to the profiled corner post fitted, line up end panel with corner post as shown and fix as before.

All legs are pre-set at 150mm height. Rotate to adjust up and down, to level the unit.

To join cabinets together mark 20mm on a 3mm dia. drill bit with masking tape. Drill between the 2 holes drilled for the hinges, through one cabinet side (16mm) and 4mm into the next, stopping when you reach the marker. Join the cabinets together with 2 x **R** screws.

Fitting to wall

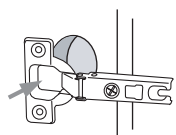
Drill 3mm pilot hole. Fix bracket **F** with **B** screw.



Use appropriate fittings to secure cabinet to wall (depending on wall type).

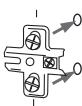
Door hinges

Separate hinge from hinge plate if supplied attached.



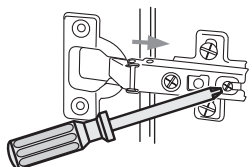
Insert door hinge **L** into recess in door and affix using 2x **B** screws.

Edge of panel

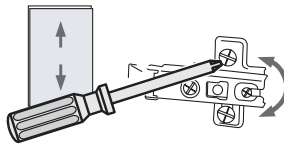
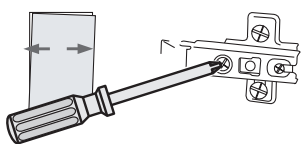


Affix hinge plate **M** to cabinet using pre-drilled holes with pre-mounted screws.

Connect door hinge to cabinet and tighten screw shown.



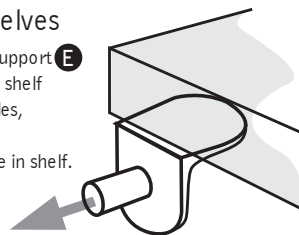
Turn screw as shown, to adjust the door position



After adjustment is complete apply cover plate **N**

To fit shelves

Push shelf support **E** into chosen shelf position holes, 5 per shelf. Tilt and slide in shelf.

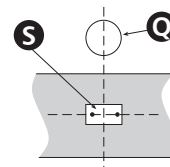


To fit plinths

Lay plinth panel in front of cabinet. Position plinth clip plate **S** opposite front cabinet legs. Secure with 2 x screws **B**.

Slide **P** into **S**.

Stand plinth up.



To fit door handles

Position your choice of handle (available separately) using the drilling guide available in stores.