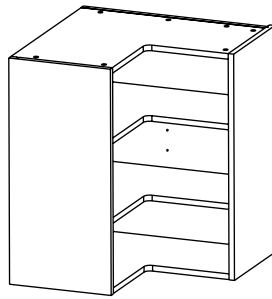
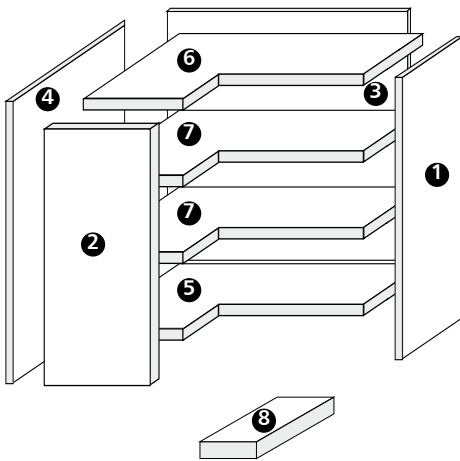


ASSEMBLY GUIDE



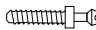






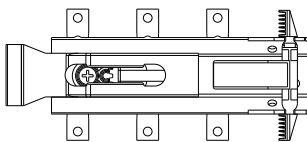


Standard & Tall L Shaped CORNER WALL Cabinets

Panels



- 1 x **1** RH Side
- 1 x **2** LH Side
- 1 x **3** Back Large
- 1 x **4** Back
- 1 x **5** Base
- 1 x **6** Top
- 2 x **7** Shelf for Standard 3 x **7** for Tall
- 1 x **8** Rail

Hardware

- 12 x **B**  for Standard Cabinet
- 18 x **B**  for Tall Cabinet
- 3 x **BC**  20mm
- 2 x **D**  
- 20 x **F**  for Standard Cabinet
- 32 x **F**  for Tall Cabinet
- 3 x **P** 
- 2 x **AA** 
- 3 x **BB** 

Hinges Supplied Separately

Please use scissors to open the bag of fittings and then empty the contents into a bowl, so that they do not get lost!

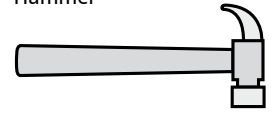


Minimum Tools required

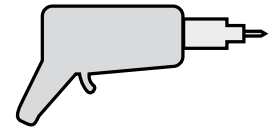
Cross Head Screwdriver



Hammer



Drill



Level



Before you Start ...

WARNING: Installation should be performed by a competent person only. This product could be dangerous if incorrectly installed. All assembly fittings except legs and shelf pegs have been pre-inserted. If any are missing or there is a problem with the panels, please call the Manufacturers' Helpline on **01769 575500**, and their team will get things sorted.



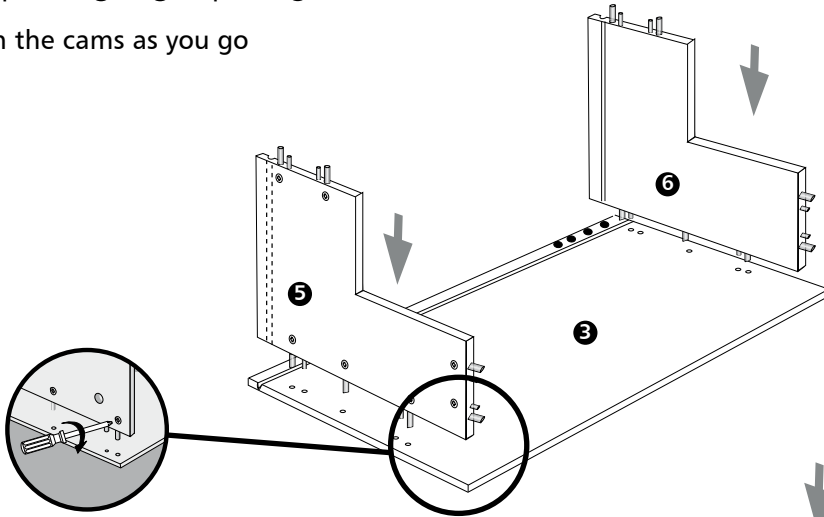
Video assembly guides can be viewed at www.mycabinetguide.co.uk

Cleaning – Use mild soap and water only. Do not use abrasive cleaners.

1

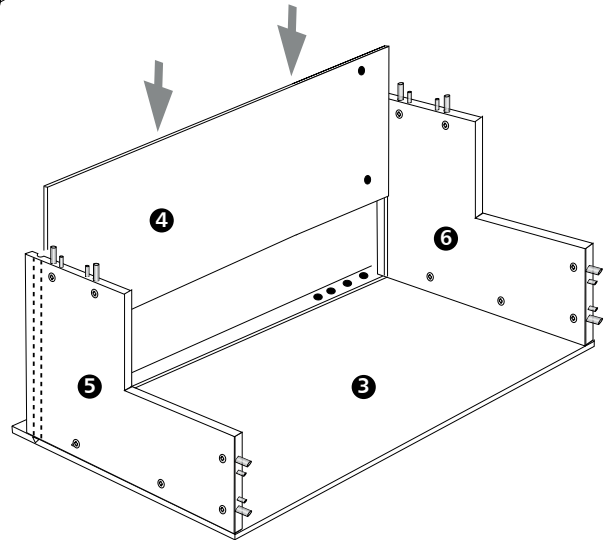
Attach panels **5** & **6** to panel **3**

Tighten the cams as you go



2

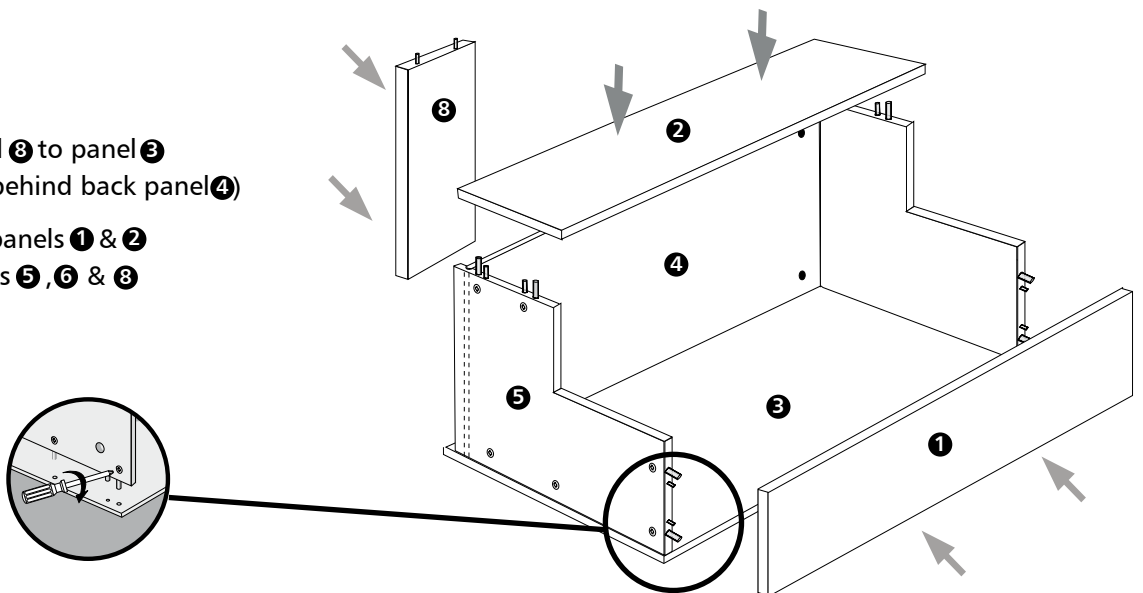
Slide panel **4** into grooves



3

Fit panel **8** to panel **3**
(This is behind back panel **4**)

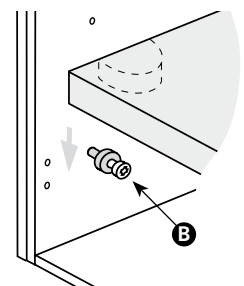
Attach panels **1** & **2**
to panels **5**, **6** & **3**



4

Fully insert the shelf pegs **B**, at required position, (the back of the plastic collar must finish flush with the face of the side panel). Rest the shelf on the pegs, and line up with the plastic inserts. Now tap down firmly to secure.

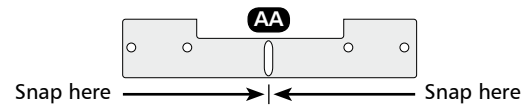
NOTE: To remove the shelf, gently tap up and take out, push shelf peg in turn anticlockwise with a screwdriver and pull out.



5 Fitting to wall

Stage 1:

Hold Wall plate **AA** between hands and snap at centre to produce one left hand and one right hand wall plate



Stage 2:

Position and secure wall plates **AA** to the wall with suitable fixings.

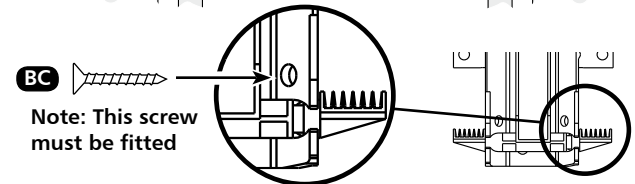
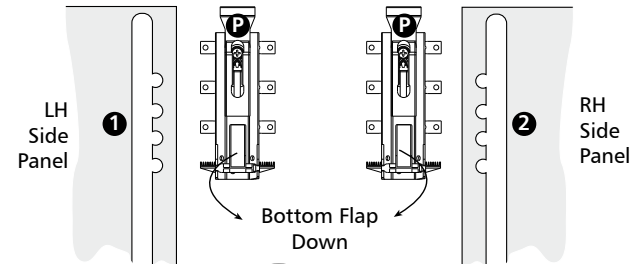
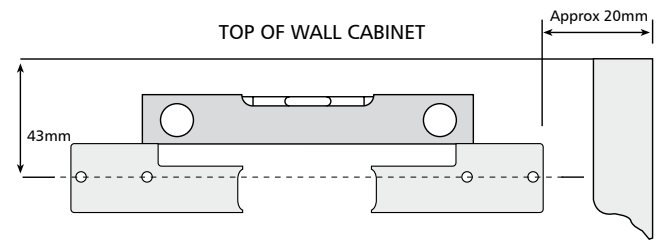
WARNING: This unit could be dangerous if fitted incorrectly to wall. (Fixings are not supplied with the pack, as they vary according to the type of walls you have. If you are unsure, ask an expert).

Stage 3:

Position wall hanging brackets **P** into the large holes at the top of the LH & RH end panels **1** & **2**, and the large back panel **3**, and ensure they are fully inserted.

Stage 4:

Pull the bottom flap down to lock the hanging brackets. Finally, they must be secured into place at the bottom, using 1 x **BC** to each bracket, as shown.



Note: This screw must be fitted

Stage 5:

To adjust the height of the Wall Hanging Brackets **P**.

Turn screwdriver **2** clockwise to reduce height

Turn screwdriver **2** anticlockwise to increase height

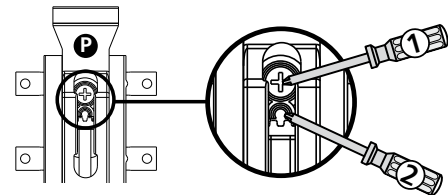
Stage 6:

Turn screwdriver **1** clockwise to pull cabinet towards wall.

Turn screwdriver **1** anticlockwise to release cabinet from wall

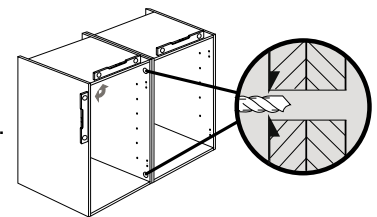
Stage 7:

When correctly positioned, push in cover caps **BB**



6 Joining of Cabinets

Drill a 5mm hole through both side panels. Join together using joining bolts **D**.



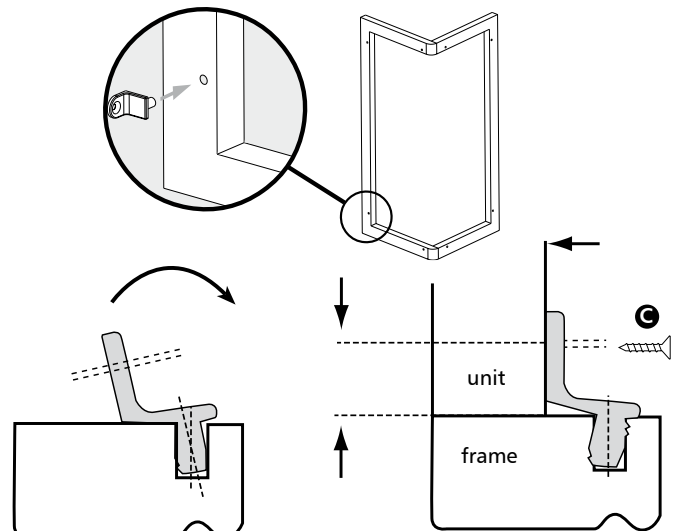
7 Frame Fitting

Supplied in Hinge Packs For Inset Doors and Frames only

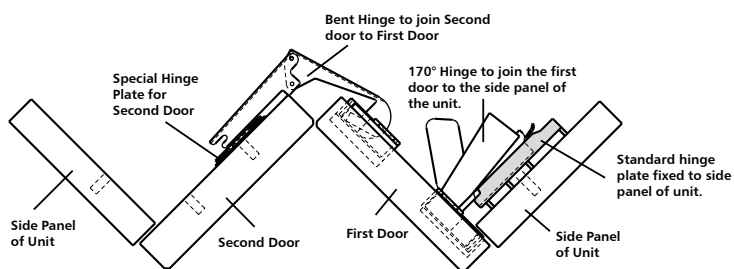
Insert the metal frame brackets, at an angle, into the holes in the back of the frame, and then straighten them up, to grip the holes, before fitting the frame.

Carefully push the frame (with brackets) onto the front of the cabinet, and adjust to the correct position.

Finally, secure the frame brackets to the cabinet with screws **C** (supplied in hinge pack).



8 Door Hinges

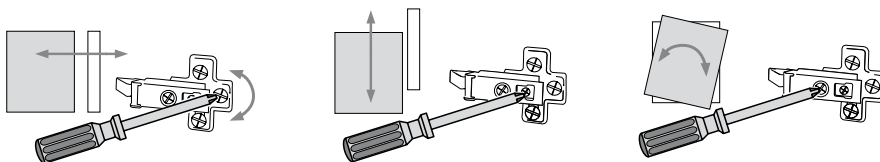


Standard Detail

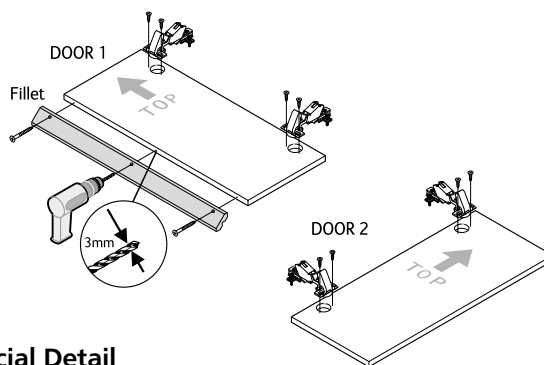
1. Insert the main door hinges into the recesses on one edge, at the rear of the first door.
2. Insert the 'bent' door hinges into the recesses on the opposite side of the first door.
3. Affix the standard hinge plates to the side panel of the cabinet.
4. Affix the special (thinner) hinge plates to one edge, at the rear of the second door.
5. Finally, connect the 'bent' hinges to the second door hinge plates, and then clip the main hinges to the standard hinge plates.

Note: When fitting a handle to the second door, the screw head should be countersunk.

Turn screws as shown to adjust door position



Hinge and Door Packs Supplied Separately



Special Detail

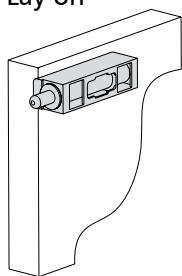
Certain door styles require the use of a shaped fillet, and standard 170° hinges to both doors (refer to the brochure). In this situation, as shown, the fillet must be fitted to the opposite door to the handle or knob. Drill carefully into the edge of the door, using a 3mm drill bit, and then fix the fillet with 3no screws (not supplied).

Insert the door hinges into the recesses in the back of the doors, as shown, and fix in place. Now attach the door to the cabinet. The pre-fitted screws will align with the correct holes. Tighten the screws

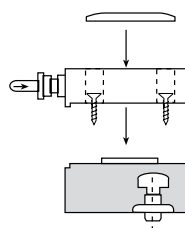
9 Soft Closer

This section details all options available. You should follow the details that refer to the system you have purchased.

Lay on

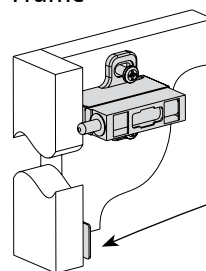


Fit to side panel with 2 x screws supplied



mounting plate for Inset Doors Only

Frame



Fit to top hinge holes in side panel opposite top hinge.

Fit the door stop at the bottom of the frame, as required

10 Handles Position as required.

NOTE: care should be taken when drilling for the handle so as not to drill in to the shelf.