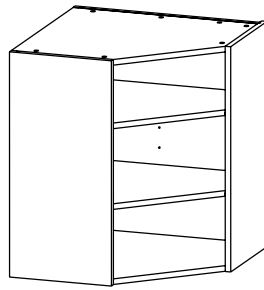
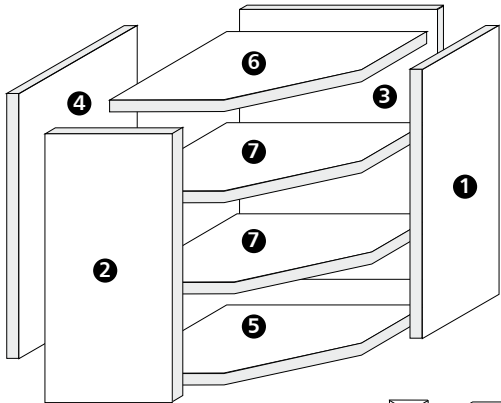


## ASSEMBLY GUIDE



# Standard & Tall DIAGONAL WALL Cabinets

### Panels



- 1 x **1** RH Side
- 1 x **2** LH Side
- 1 x **3** Large Back
- 1 x **4** Back
- 1 x **5** Base
- 1 x **6** Top
- 2 x **7** Shelf for Standard 3 x **7** for Tall
- 1 x **8** Back Rail
- 2 x **9** Triangular Post
- 2 x **10** Hinge Post

### Hardware

- 12 x **B** for Standard Cabinet
- 18 x **B** for Tall Cabinet
- 3 x **BC** 20mm
- 2 x **D**
- 20 x **F** for Standard Cabinet
- 32 x **F** for Tall Cabinet
- 4 x **H**
- 3 x **P**
- 2 x **AA**
- 3 x **BB** 4 x **EE**
- 4 x **FF**

### Hinges Supplied Separately

Please use scissors to open the bag of fittings and then empty the contents into a bowl, so that they do not get lost!

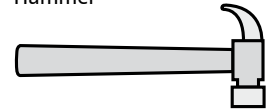


### Minimum Tools required

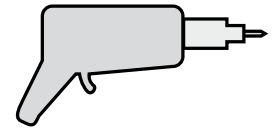
Cross Head Screwdriver



Hammer



Drill



Level



## Before you Start ...

**WARNING:** Installation should be performed by a competent person only. This product could be dangerous if incorrectly installed. All assembly fittings except legs and shelf pegs have been pre-inserted. If any are missing or there is a problem with the panels, please call the Manufacturers' Helpline on **01769 575500**, and their team will get things sorted.

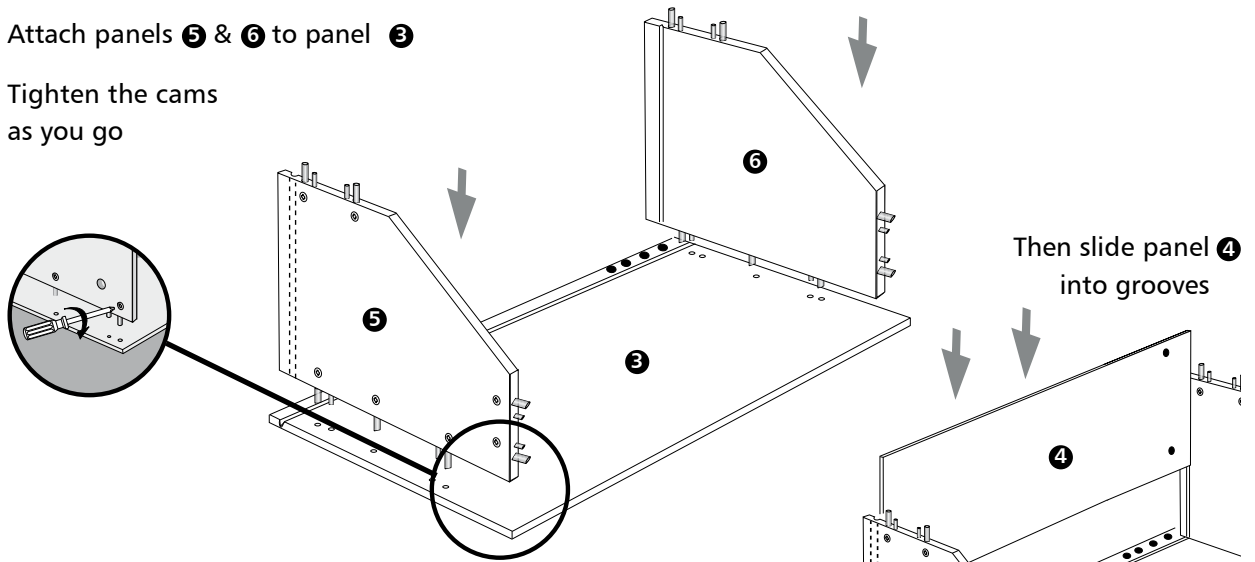
Video assembly guides can be viewed at [www.mycabinetguide.co.uk](http://www.mycabinetguide.co.uk)

**Cleaning** – Use mild soap and water only. Do not use abrasive cleaners.

1

Attach panels 5 & 6 to panel 3

Tighten the cams as you go

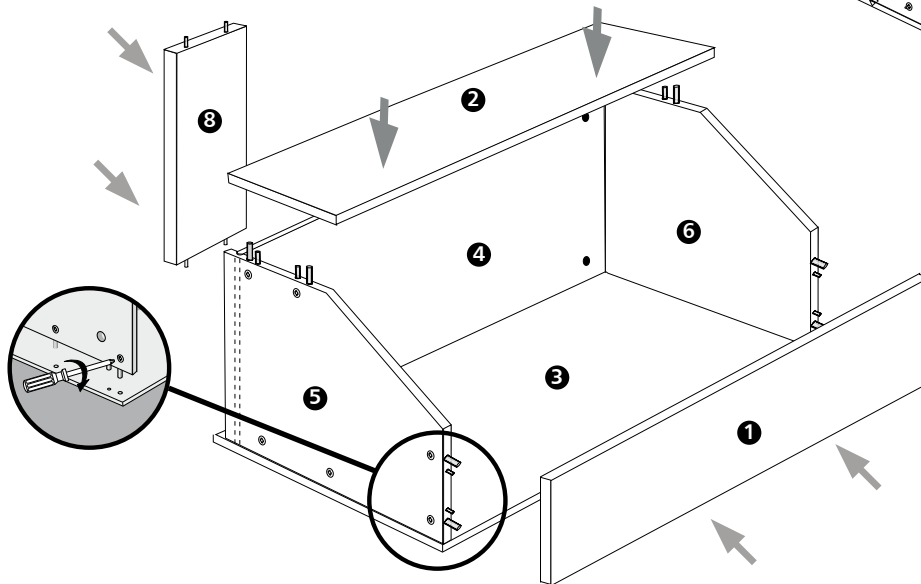


Then slide panel 4 into grooves

2

Fit panel 8 to panel 3 (This is behind back panel 4)

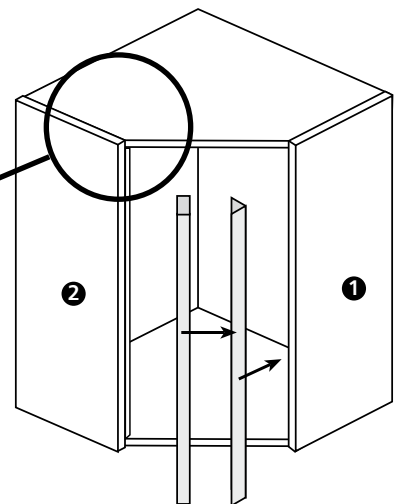
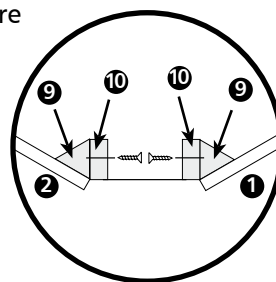
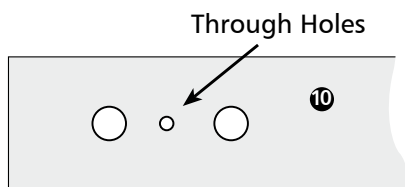
Attach panels 1 & 2 to panels 5, 6 & 8.



3

Fit panels 9 to panels 1 and 2 using cam dowels supplied ensuring shelf holes are to the inside of the cabinet.

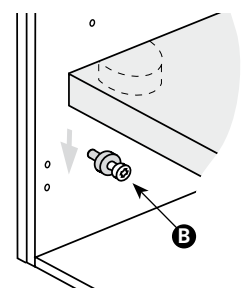
Then fix panel 10 to 9 using 4 x H. Use the middle through holes as detail below.



## 4 Shelf Fitting

Fully insert the shelf pegs B, at required position, (the back of the plastic collar must finish flush with the face of the side panel). Rest the shelf on the pegs, and line up with the plastic inserts. Now tap down firmly to secure.

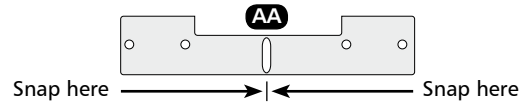
NOTE: To remove the shelf, gently tap up and take out, push shelf peg in turn anticlockwise with a screwdriver and pull out.



## 5 Fitting to wall

### Stage 1:

Hold Wall plate **AA** between hands and snap at centre to produce one left hand and one right hand wall plate



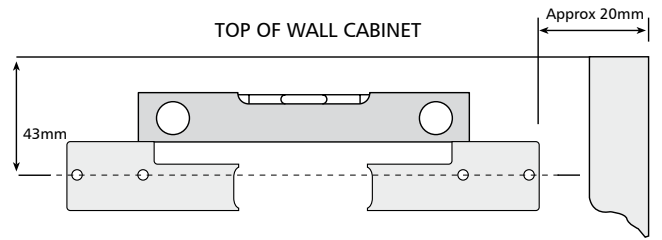
### Stage 2:

Position and secure wall plates **AA** to the wall with suitable fixings.

**WARNING:** This unit could be dangerous if fitted incorrectly to wall. (Fixings are not supplied with the pack, as they vary according to the type of walls you have. If you are unsure, ask an expert).

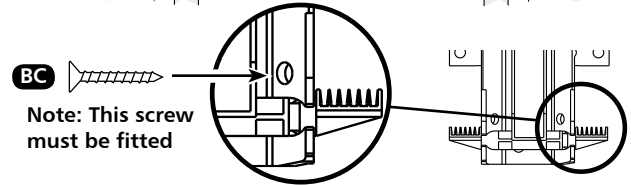
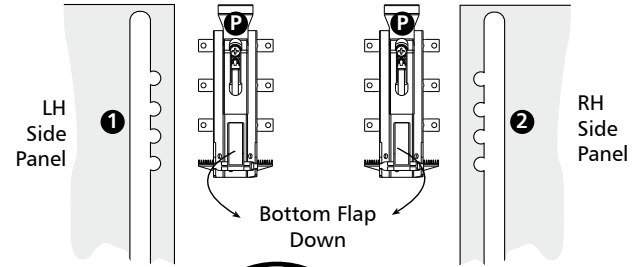
### Stage 3:

Position wall hanging brackets **P** into the large holes at the top of the LH & RH end panels **1** & **2**, and the large back panel **3**, and ensure they are fully inserted.



### Stage 4:

Pull the bottom flap down to lock the hanging brackets. Finally, they must be secured into place at the bottom, using 1 x **BC** to each bracket, as shown.



### Stage 5:

To adjust the height of the Wall Hanging Brackets **P**.

Turn screwdriver **2** clockwise to reduce height

Turn screwdriver **2** anticlockwise to increase height

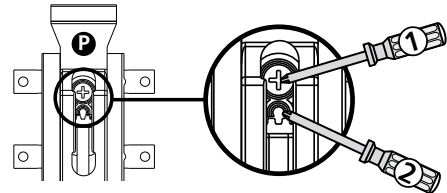
### Stage 6:

Turn screwdriver **1** clockwise to pull cabinet towards wall.

Turn screwdriver **1** anticlockwise to release cabinet from wall

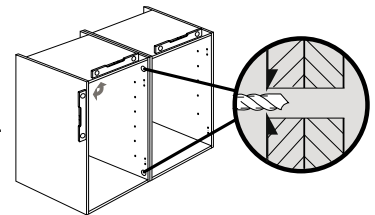
### Stage 7:

When correctly positioned, push in cover caps **BB**



## 6 Joining of Cabinets

Drill a 5mm hole through both side panels. Join together using joining bolts **D**.



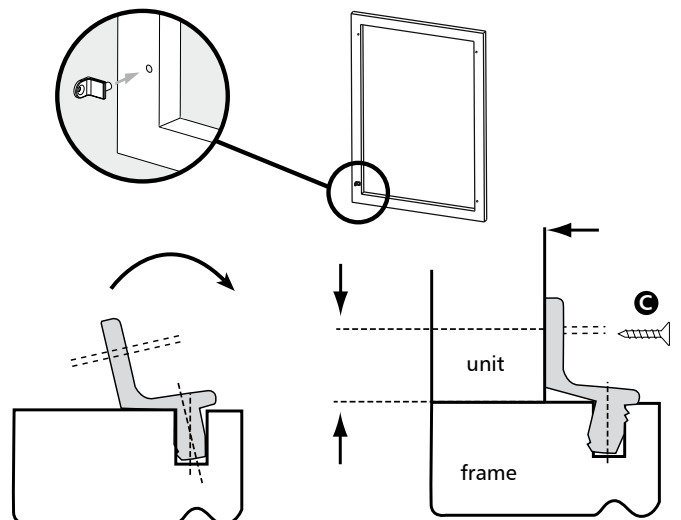
## 7 Frame Fitting

**Supplied in Hinge Packs** For Inset Doors and Frames only

Insert the metal frame brackets, at an angle, into the holes in the back of the frame, and then straighten them up, to grip the holes, before fitting the frame.

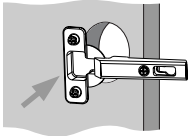
Carefully push the frame (with brackets) onto the front of the cabinet, and adjust to the correct position.

Finally, secure the frame brackets to the cabinet with screws **C** (supplied in hinge pack).

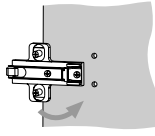


## 8 Door Hinges

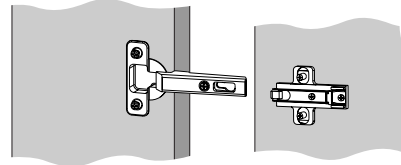
Insert Door Hinge into rear recess in door



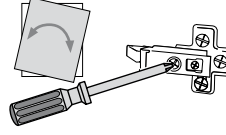
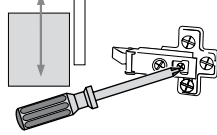
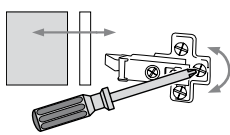
Affix Hinge Plate on cabinet



Now, Clip Hinge onto Hinge Plate



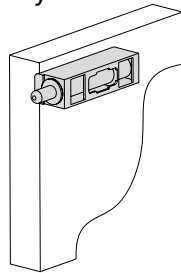
Turn screws as shown to adjust door position



## 9 Soft Closer

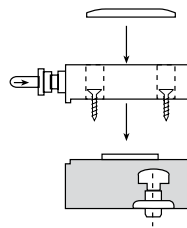
This section details all options available. You should follow the details that refer to the system you have purchased.

Lay on

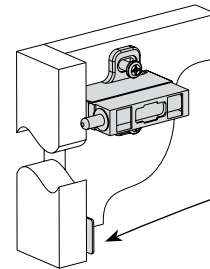


Fit to side panel with 2 x screws supplied

Frame



mounting plate for Inset Doors Only



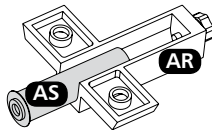
Fit to top hinge holes in side panel opposite top hinge.

Fit the door stop at the bottom of the frame, as required

### Push-to-open only:

#### Fixing of Magnetic Catch

First, carefully push the magnetic catch **AS**, into the holder **AR**, as shown, until it clips onto the adjustment screw at the end.

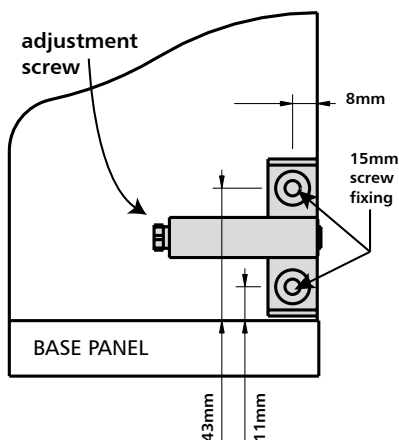


This is now ready to be fitted to the unit.

Carefully mark holes for fixing the holder, in the positions shown, and using a 3mm drill bit, drill approximately 5mm deep.

Then fix the complete magnetic holder to the side panel, as shown.

Once fitted, use the adjustment screw to fix the catch **AS** in the optimum position.

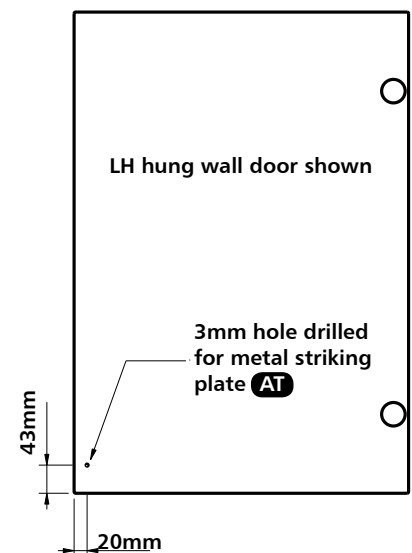


#### Fixing of Strike Plate

Using a 3mm drill bit, carefully drill a 3mm hole in the door, as shown.

Now tap the strike plate **AT** into this hole, and close the door.

The door should be pushed onto the magnetic catch, to close it. Then, to open the door, simply push the door again, and release, and the door should open. If the door does not open smoothly, then it may require further adjustment of the hinges.



## 10 Handles Position as required.

**NOTE:** care should be taken when drilling for the handle so as not to drill in to the shelf.