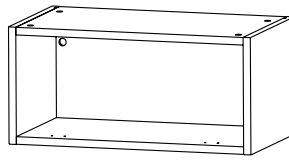


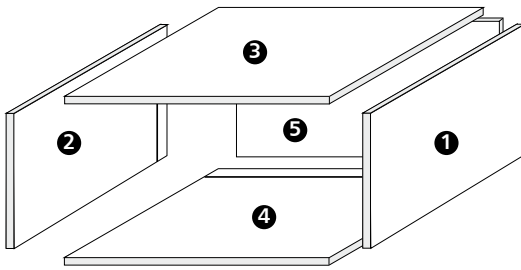
ASSEMBLY GUIDE

Standard



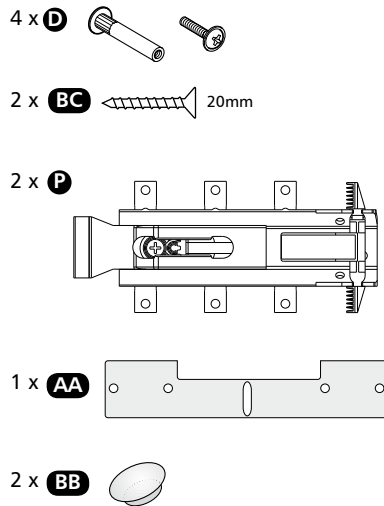
BRIDGING WALL Cabinet

Panels



- 1 x **1** RH side
- 1 x **2** LH Side
- 1 x **3** Top
- 1 x **4** Base
- 1 x **5** Back

Hardware



Hinges Supplied Separately

Please use scissors to open the bag of fittings and then empty the contents into a bowl, so that they do not get lost!

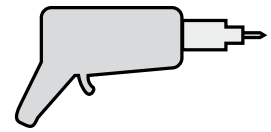


Minimum Tools required

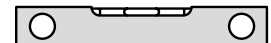
Cross Head Screwdriver



Drill



Level



Before you Start ...

WARNING: Installation should be performed by a competent person only. This product could be dangerous if incorrectly installed. All assembly fittings except legs and shelf pegs have been pre-inserted. If any are missing or there is a problem with the panels, please call the Manufacturers' Helpline on **01769 575500**, and their team will get things sorted.



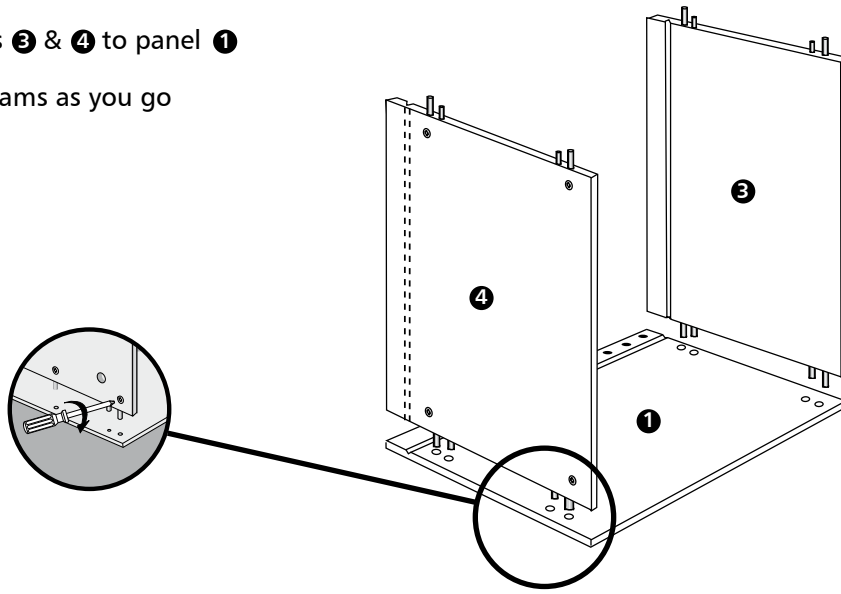
Video assembly guides can be viewed at www.mycabinetguide.co.uk

Cleaning – Use mild soap and water only. Do not use abrasive cleaners.

1

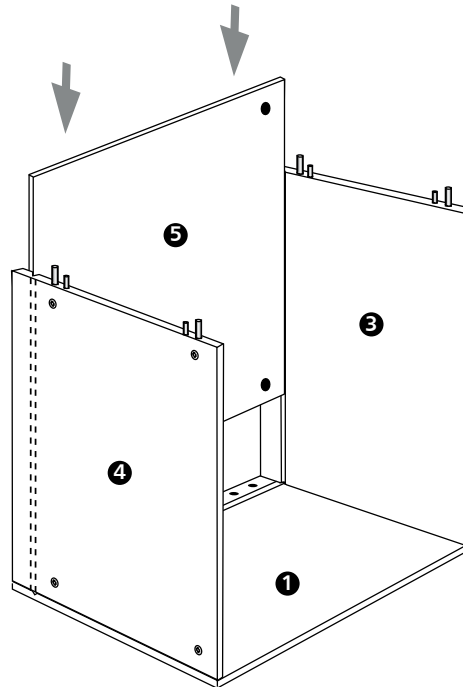
Attach panels 3 & 4 to panel 1

Tighten the cams as you go



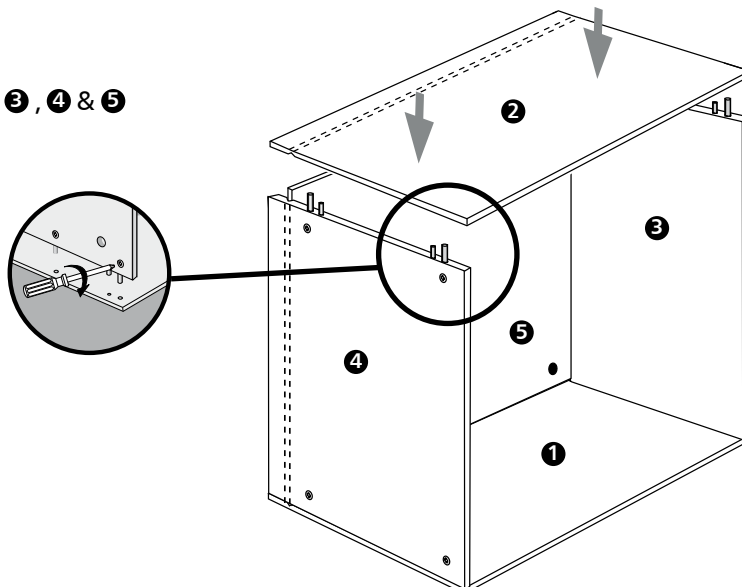
2

Slide panel 5 into position



3

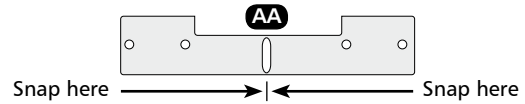
Fit panel 2 to 3, 4 & 5



4 Fitting to wall

Stage 1:

Hold Wall plate **AA** between hands and snap at centre to produce one left hand and one right hand wall plate



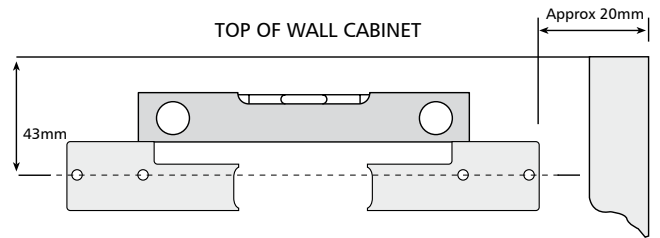
Stage 2:

Position and secure wall plates **AA** to the wall with suitable fixings.

WARNING: This unit could be dangerous if fitted incorrectly to wall. (Fixings are not supplied with the pack, as they vary according to the type of walls you have. If you are unsure, ask an expert).

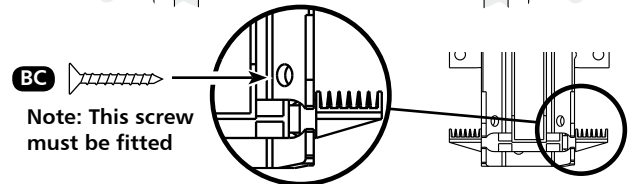
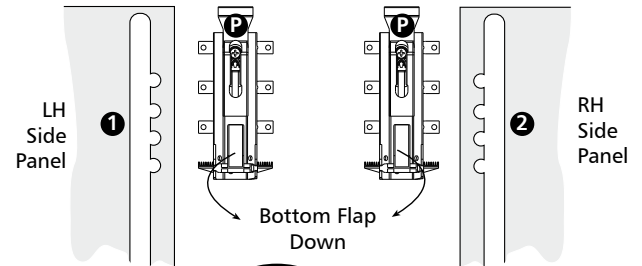
Stage 3:

Position the wall hanging brackets **P** into the large holes at the top of the LH and RH end panels (**1** & **2**), as shown, and ensure they are fully inserted.



Stage 4:

Pull the bottom flap down to lock the hanging brackets. Finally, they must be secured into place at the bottom, using 1 x **BC** to each bracket, as shown.



Stage 5:

To adjust the height of the Wall Hanging Brackets **P**.

Turn screwdriver **2** clockwise to reduce height

Turn screwdriver **2** anticlockwise to increase height

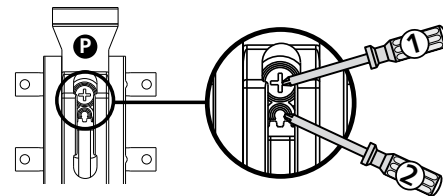
Stage 6:

Turn screwdriver **1** clockwise to pull cabinet towards wall.

Turn screwdriver **1** anticlockwise to release cabinet from wall

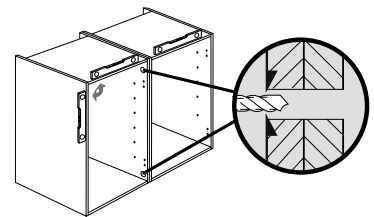
Stage 7:

When correctly positioned, push in cover caps **BB**



5 Joining of Cabinets

Drill a 5mm hole through both side panels. Join together using joining bolts **D**.



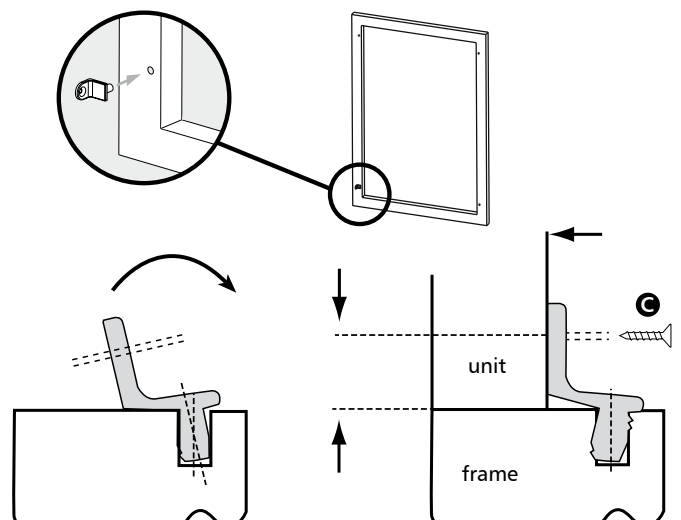
6 Frame Fitting

Supplied in Hinge Packs For Inset Doors and Frames only

Insert the metal frame brackets, at an angle, into the holes in the back of the frame, and then straighten them up, to grip the holes, before fitting the frame.

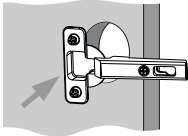
Carefully push the frame (with brackets) onto the front of the cabinet, and adjust to the correct position.

Finally, secure the frame brackets to the cabinet with screws **C** (supplied in hinge pack).

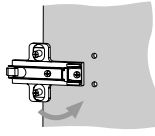


7 Door Hinges

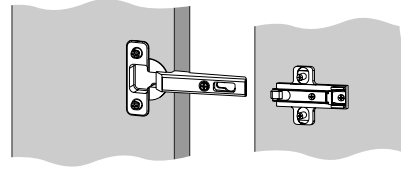
Insert Door Hinge into rear recess in door



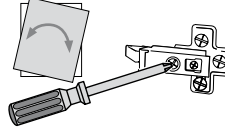
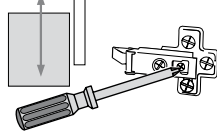
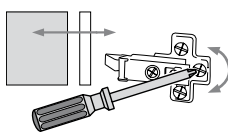
Affix Hinge Plate on cabinet



Now, Clip Hinge onto Hinge Plate



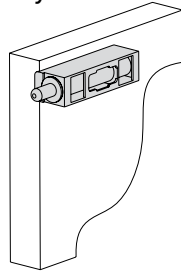
Turn screws as shown to adjust door position



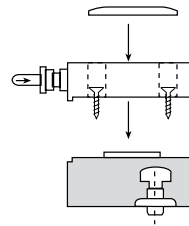
8 Soft Closer

This section details all options available. You should follow the details that refer to the system you have purchased.

Lay on

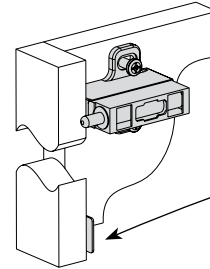


Fit to side panel with 2 x screws supplied



mounting plate for **Inset Doors Only**

Frame



Fit the door stop at the bottom of the frame, as required

Fit to top hinge holes in side panel opposite top hinge.

9 Handles Position as required.

NOTE: care should be taken when drilling for the handle so as not to drill in to the shelf.