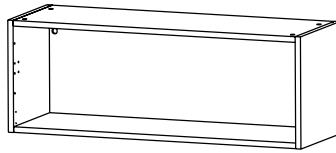


ASSEMBLY GUIDE

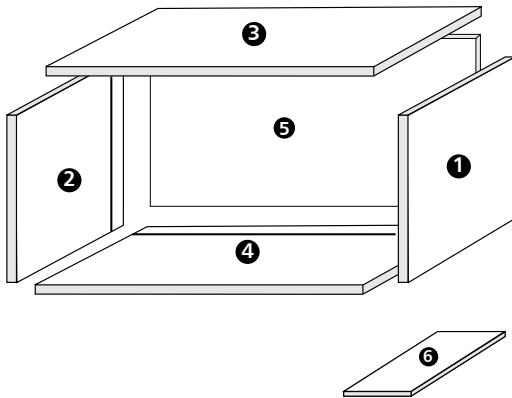
1000mm



BRIDGING WALL

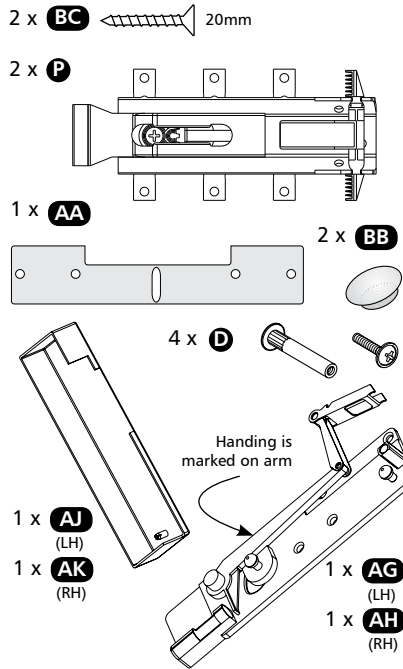
Cabinet

Panels

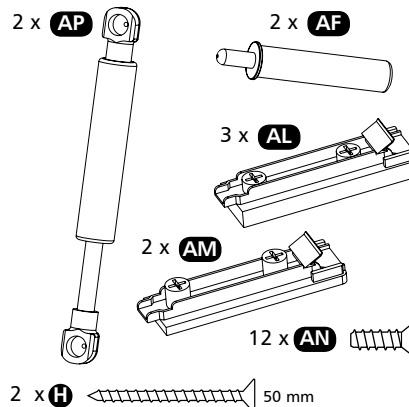


- 1 x **1** RH Side
- 1 x **2** LH Side
- 1 x **3** Top
- 1 x **4** Base
- 1 x **5** Back
- 1 x **6** Back Rail

Hardware



Following items are supplied in the separate hinge pack.

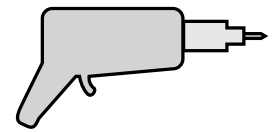


Minimum Tools required

Cross Head Screwdriver



Drill



Level



Please use scissors to open the bag of fittings and then empty the contents into a bowl, so that they do not get lost!



Before you Start ...

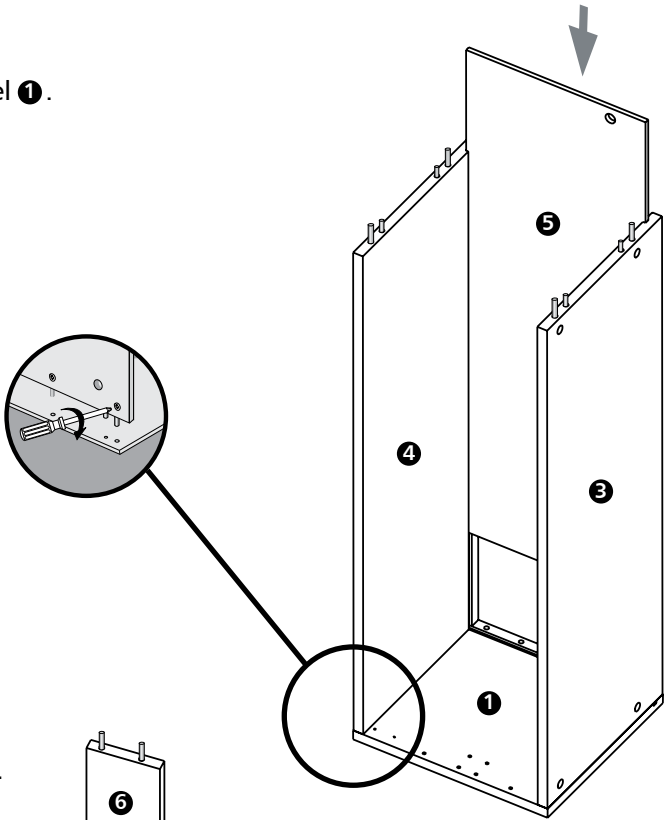
WARNING: Installation should be performed by a competent person only. This product could be dangerous if incorrectly installed. All assembly fittings except legs and shelf pegs have been pre-inserted. If any are missing or there is a problem with the panels, please call the Manufacturers' Helpline on **01769 575500**, and their team will get things sorted.

Video assembly guides can be viewed at www.mycabinetguide.co.uk

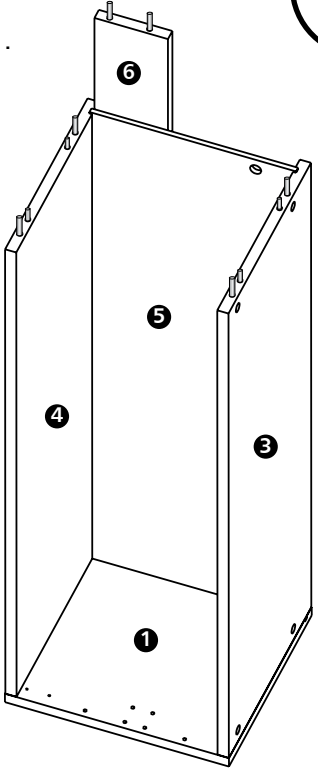
Cleaning – Use mild soap and water only. Do not use abrasive cleaners.

- 1 Attach panels **3** & **4** to panel **1**.
Slide panel **5** into position.

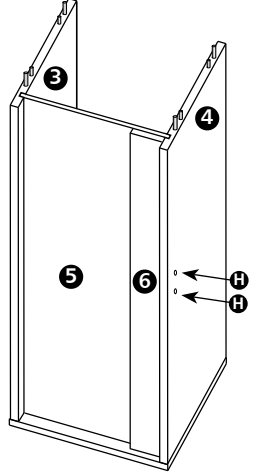
Tighten the cams as you go



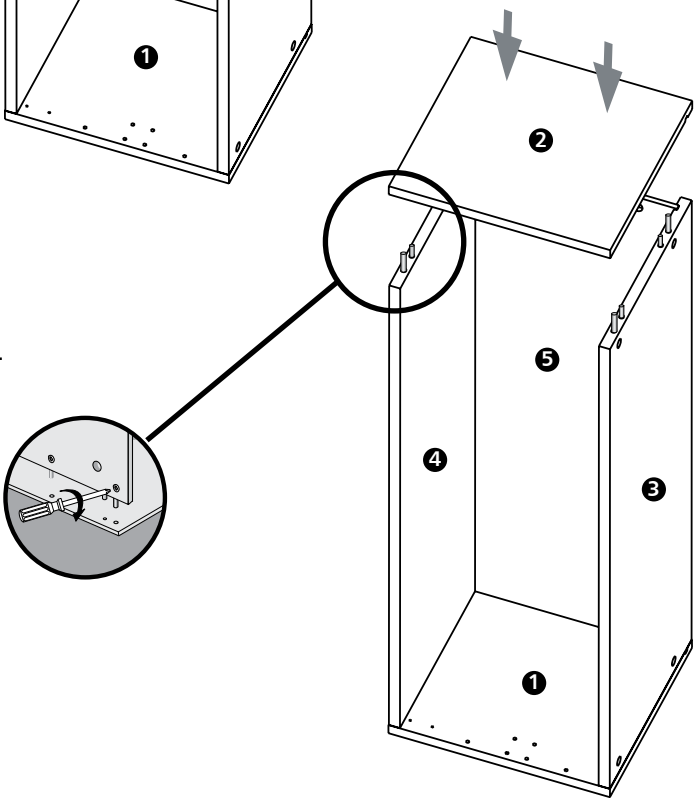
- 2 Then fit panel **6** to panel **1**.



Now secure the base panel **4** to the back rail **6**, using 2 x screws **H**.



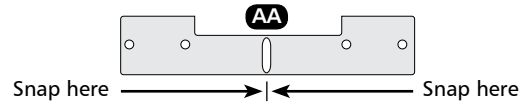
- 3 Fit panel **2** to **3**, **4**, **5** & **6**.



4 Fitting to wall

Stage 1:

Hold Wall plate **AA** between hands and snap at centre to produce one left hand and one right hand wall plate



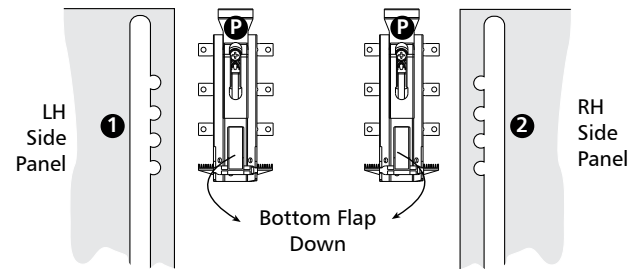
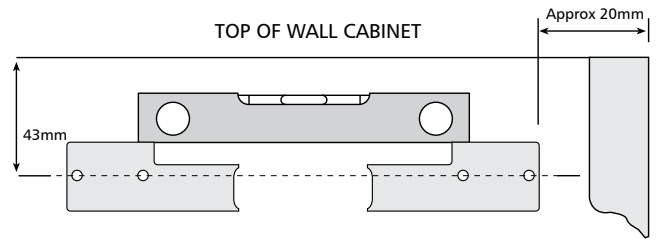
Stage 2:

Position and secure wall plates **AA** to the wall with suitable fixings.

WARNING: This unit could be dangerous if fitted incorrectly to wall. (Fixings are not supplied with the pack, as they vary according to the type of walls you have. If you are unsure, ask an expert).

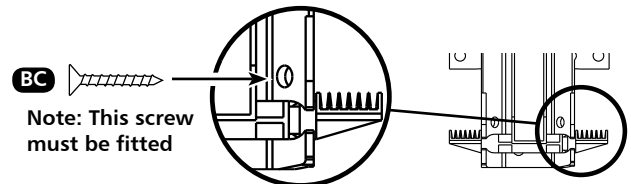
Stage 3:

Position the wall hanging brackets **P** into the large holes at the top of the LH and RH end panels (**1** & **2**), as shown, and ensure they are fully inserted.



Stage 4:

Pull the bottom flap down to lock the hanging brackets. Finally, they must be secured into place at the bottom, using 1 x **BC** to each bracket, as shown.



Note: This screw must be fitted

Stage 5:

To adjust the height of the Wall Hanging Brackets **P**.

Turn screwdriver **2** clockwise to reduce height

Turn screwdriver **2** anticlockwise to increase height

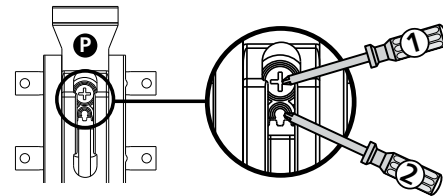
Stage 6:

Turn screwdriver **1** clockwise to pull cabinet towards wall.

Turn screwdriver **1** anticlockwise to release cabinet from wall

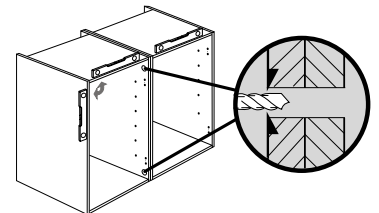
Stage 7:

When correctly positioned, push in cover caps **BB**



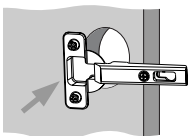
5 Joining of Cabinets

Drill a 5mm hole through both side panels. Join together using joining bolts **D**.

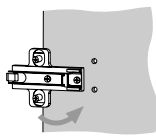


6 Door Hinges

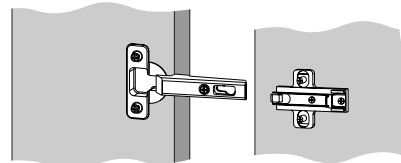
Insert Door Hinge into rear recess in door



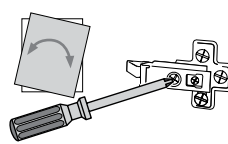
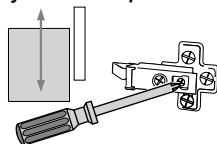
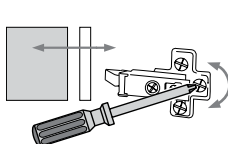
Affix Hinge Plate on cabinet



Now, Clip Hinge onto Hinge Plate



Turn screws as shown to adjust door position



7 Gas Arm Fitting

Fit RH arm & plate **AH** to RH side **1**, using 6 x **AN** screws.

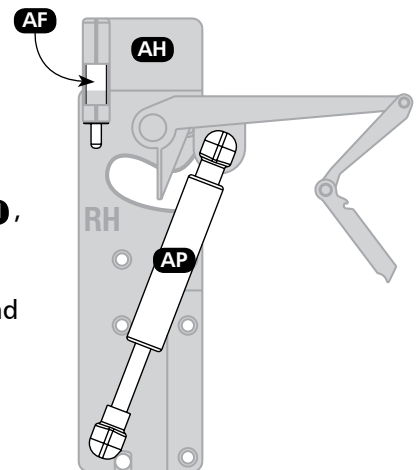
Fit the gas piston **AP** to the ball joints on the plate and arm, with the piston pointing downwards, as shown.

Insert the smove piston **AF**, into the holder in the top corner of the plate **AH**, as shown.

Once the door has been fitted, attach the arm to the arm fixing plate **AM**, and lock into position. Finally, fit the plastic cover plate **AK**, to complete.

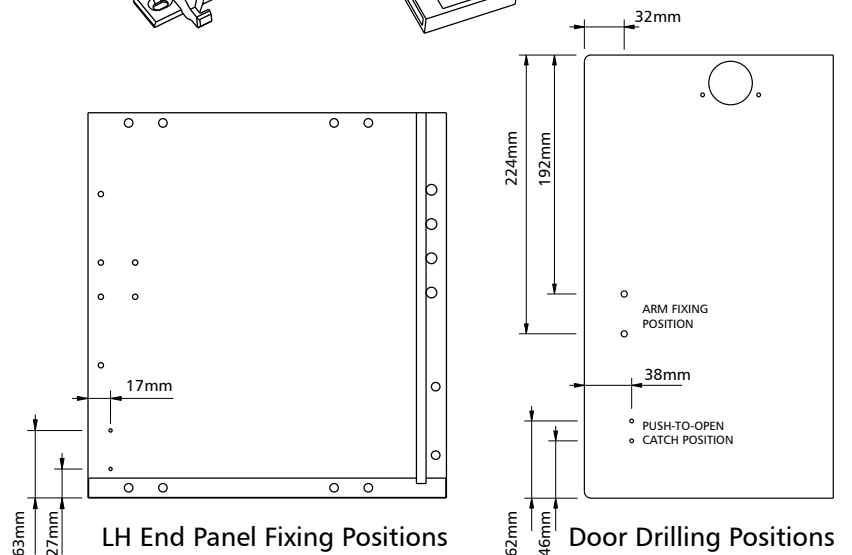
Repeat this basic process for the LH side.

Using handed components **AG** & **AJ**.



8 Push-to-Open Fitting

If fitting the Push-to-open system, the side panels and door will need to be pre-drilled, in the positions shown for the LH and RH sides of the cabinet and door. The Push units will then need to be fitted to the side panels, with the hook pointing downwards, and the catches will need to be fitted at either end of the door, so that they do not interfere with the side panels. Some final adjustment may be required to achieve correct operation.



9 Handles Position as required.

NOTE: care should be taken when drilling for the handle so as not to drill in to the shelf.